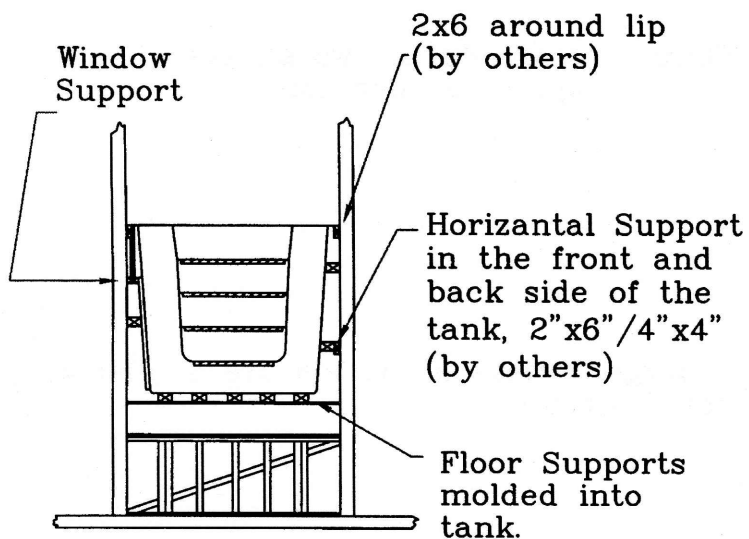
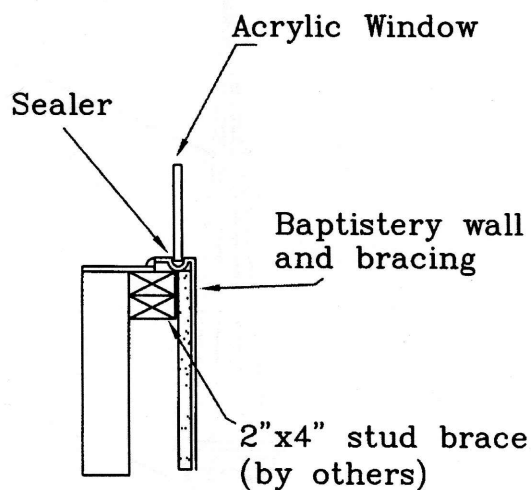


Illustrated below is a typical baptistery installation. Particular installation will vary depending on model. All framing systems must support the baptistery around the lip, bottom of the tank, and steps. Consult your local building codes for requirements.

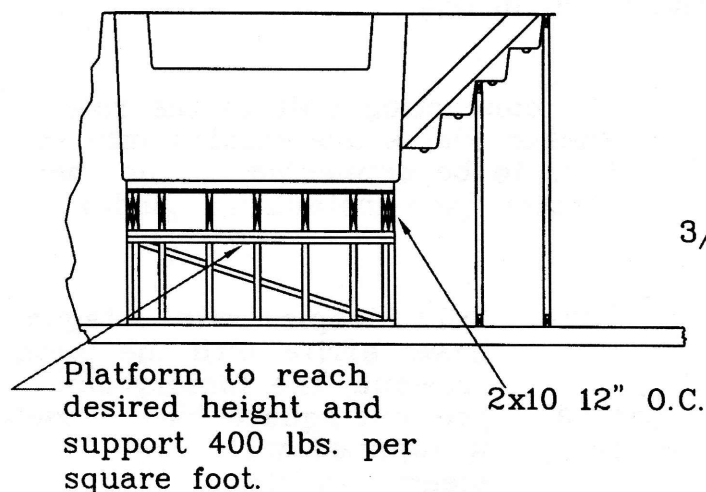
Note: To insure the best possible fit, do not frame for the baptistery until the unit arrives on site.



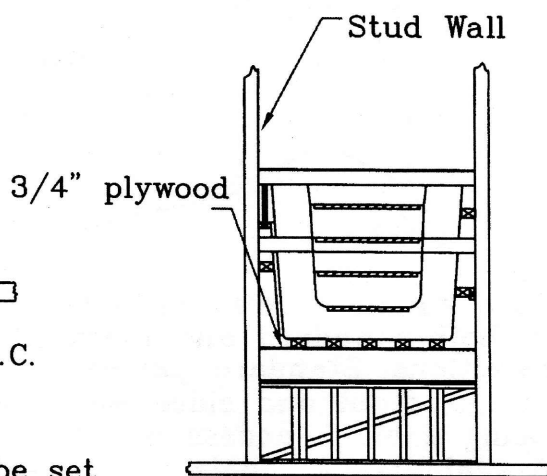
End View



Window Detail



*The tank can be set directly on concrete. But the sides and steps still require support.



End View Showing Step Bracing