

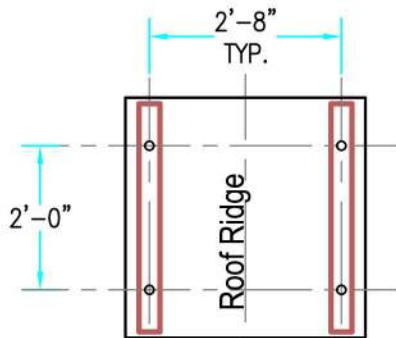
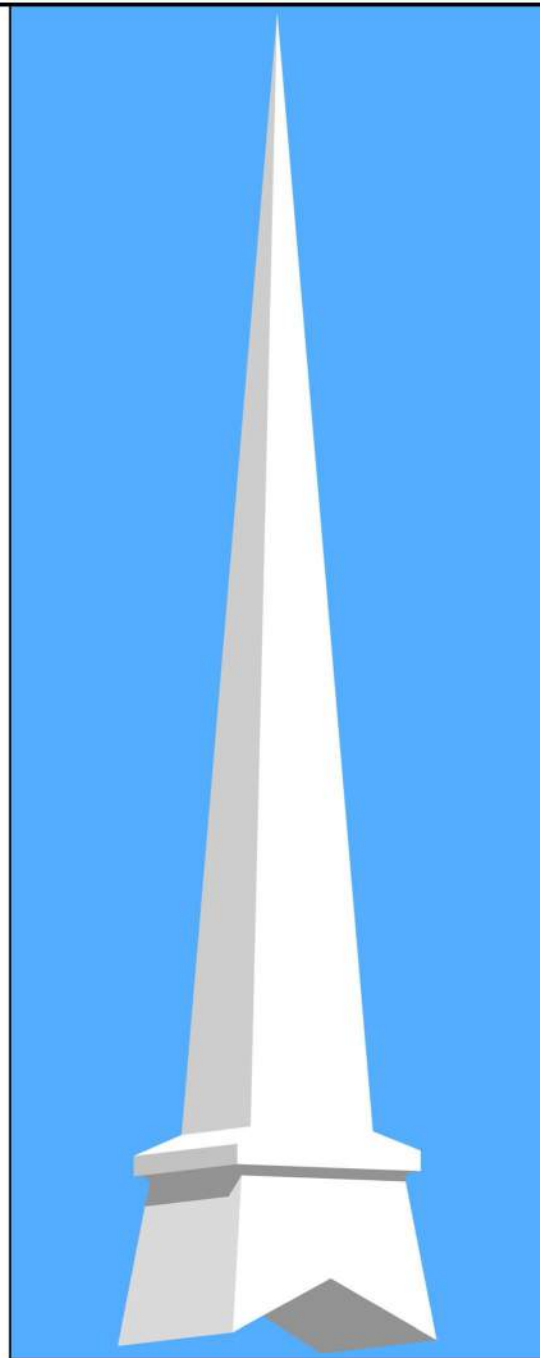
**Steeple Data**

Base Width: 3'-4"  
 Steeple Height: 19'-0"  
 Weight: 200 lb.  
 One Piece Steeple unit

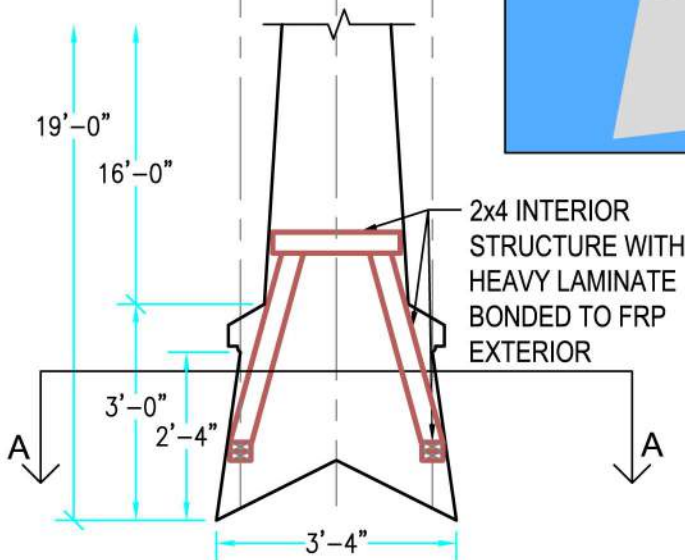
**Available Options:**

- 3' or 4' Aluminum Cross
- 8" Ball
- Lightning Protection
- Krinkle-glass Cross cut in to Base of Spire

ALL STEEPLES MUST BE MOUNTED ON A COMPLETED WATERPROOF ROOF SYSTEM AS LONG-TERM INSURANCE AGAINST LEAKAGE .



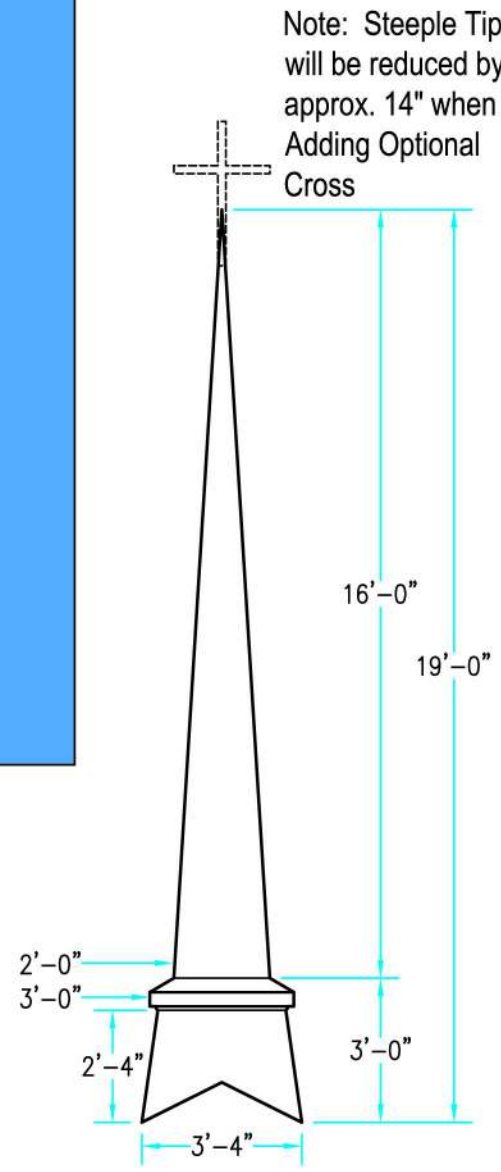
**PLAN VIEW A-A**



**INTERIOR SUPPORT DETAIL**

Scale: 3/8" = 1'-0"

**3-D VIEW**



**ELEVATION**

Scale: 1/4" = 1'-0"

Drawings are property of Fiberglass Unlimited, Inc.; Dimensions may change slightly to accommodate manufacturing.

**STEEPLES**  
**Model # 260**

**Superior Church Furnishings**

1-478-275-0235