

Steeple Data

Base Width: 6'-0"
 Steeple Height: 32'-0"
 Weight: 1050 lb.
 Three-piece Steeple unit

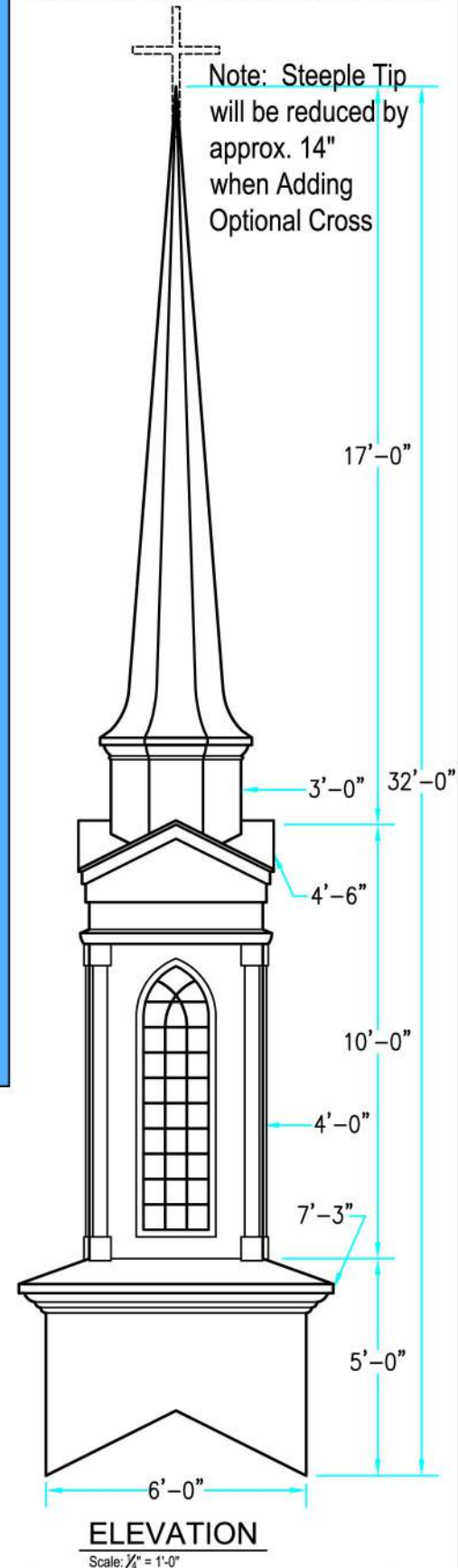
Available Options:

- 3' or 4' Aluminum Cross
- 8" Ball
- Gothic Simulated Louvers
- Gothic Krinkglas Windows
- Lightning Protection

ALL STEEPLES MUST BE MOUNTED ON A COMPLETED WATERPROOF ROOF SYSTEM AS LONG-TERM INSURANCE AGAINST LEAKAGE.

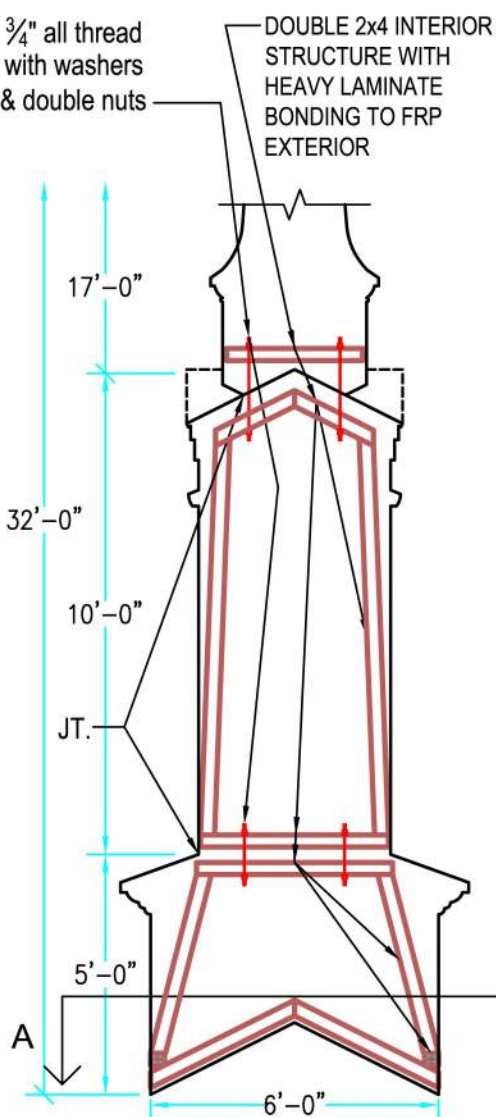


3-D VIEW



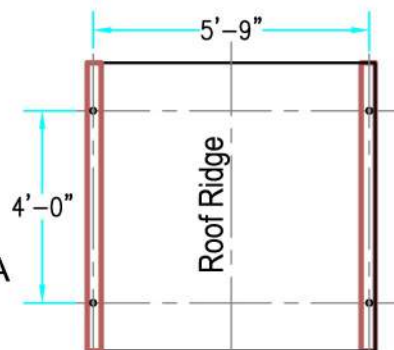
ELEVATION

Scale: 1/4" = 1'-0"



INTERIOR SUPPORT DETAIL

Scale: 1/4" = 1'-0"



PLAN VIEW A-A

Scale: 1/4" = 1'-0"

Drawings are property of Fiberglass Unlimited, Inc.; Dimensions may change slightly to accommodate manufacturing.

STEEPLES
Model # 468

Superior Church Furnishings

1-478-275-0235