

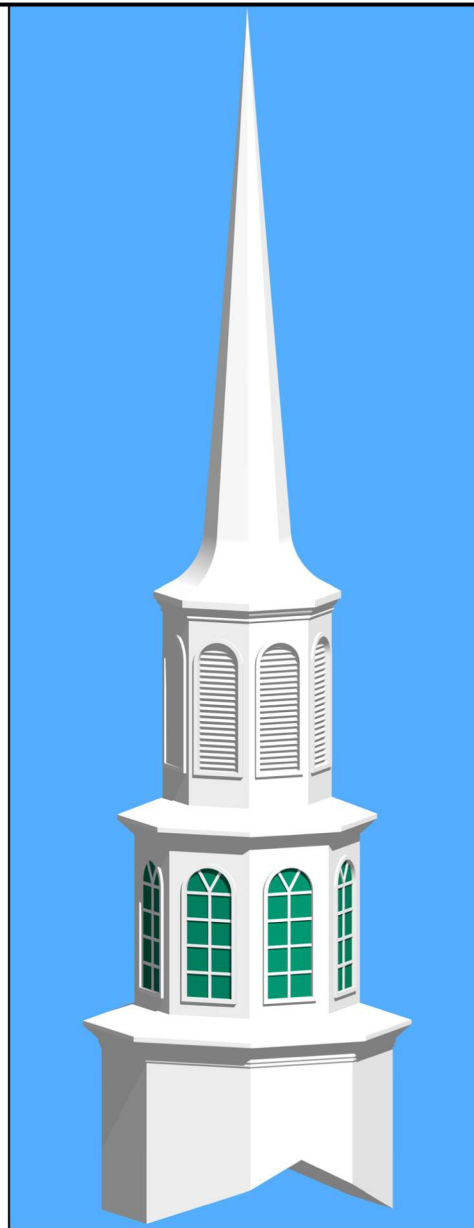
Steeple Data

Base Width: 7'-9"
 Steeple Height: 35'-0"
 Weight: 1650 lb.
 Three-piece Steeple unit

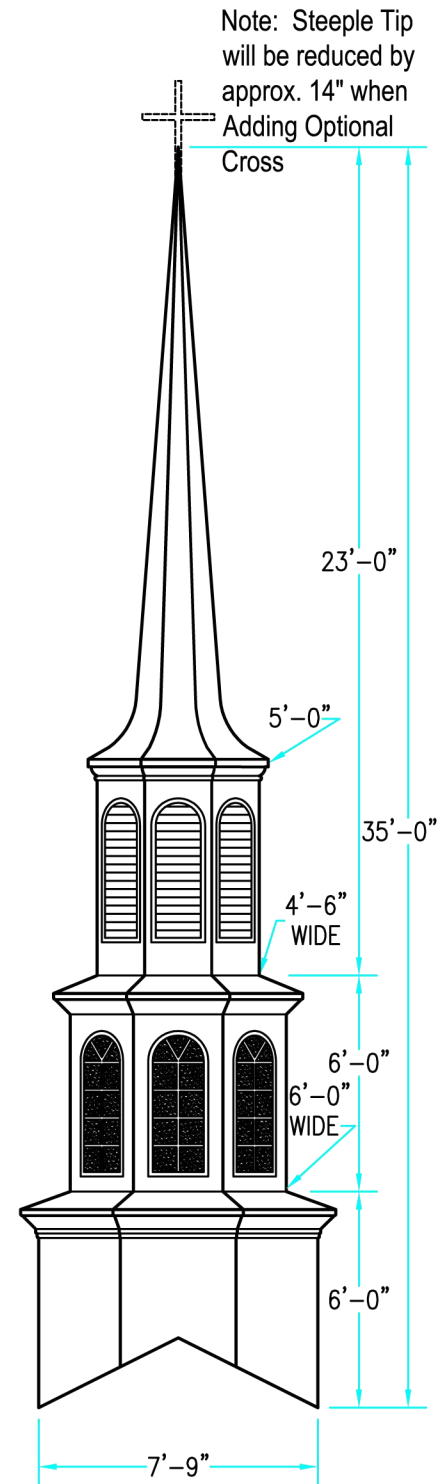
Available Options:

- 3' or 4' Aluminum Cross
- Lightning Protection
- Round Top Simulated Louvers
- Krinklglas Windows
- Round Venting Louvers in Base

ALL STEEPLES MUST BE MOUNTED ON A COMPLETED WATERPROOF ROOF SYSTEM AS LONG-TERM INSURANCE AGAINST LEAKAGE .



3-D VIEW

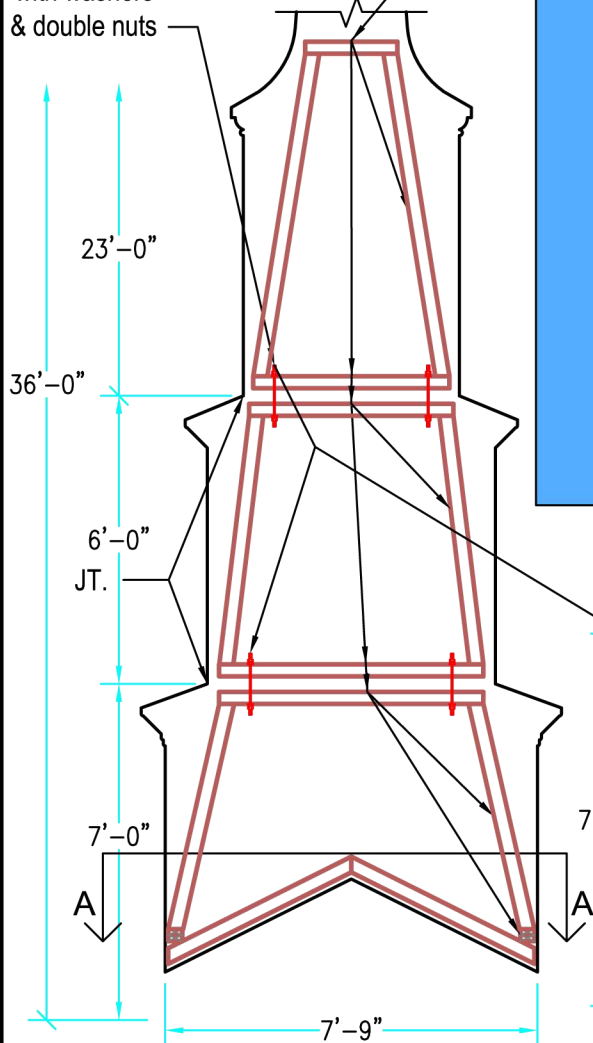


ELEVATION

Scale: $\frac{3}{16}$ " = 1'-0"

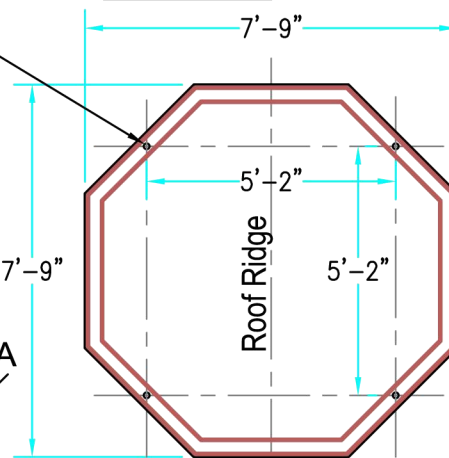
DOUBLE 2x4 INTERIOR STRUCTURE WITH HEAVY LAMINATE BONDING TO FRP EXTERIOR

$\frac{3}{4}$ " all thread with washers & double nuts



INTERIOR SUPPORT DETAIL

Scale: $\frac{1}{4}$ " = 1'-0"



PLAN VIEW A-A

Scale: $\frac{1}{4}$ " = 1'-0"

Drawings are property of Fiberglass Unlimited, Inc.; Dimensions may change slightly to accommodate manufacturing.

STEEPLES

Model # 628

Superior Church Furnishings

1-478-275-0235