

Steeple Data

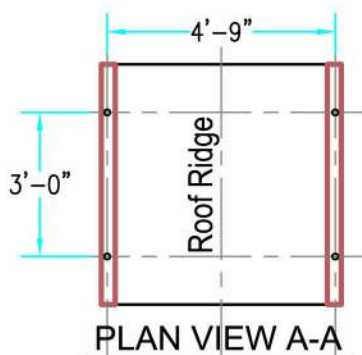
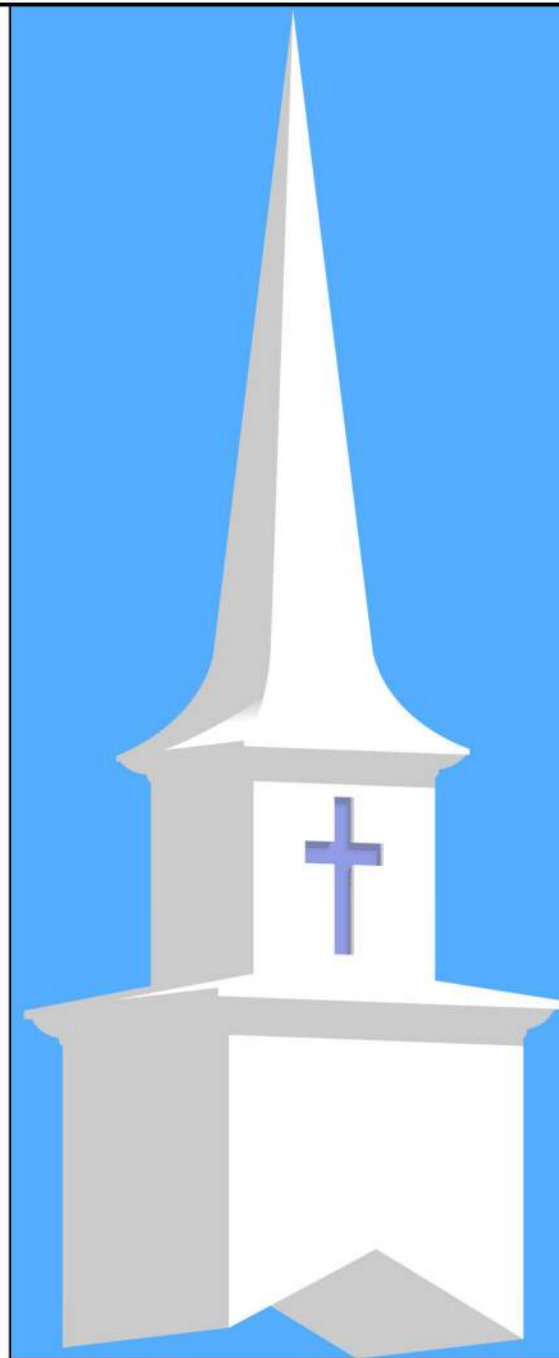
Base Width: 5'-0"
 Steeple Height: 19'-9"
 Weight: 550 lb.
 One Piece Steeple unit

Available Options:

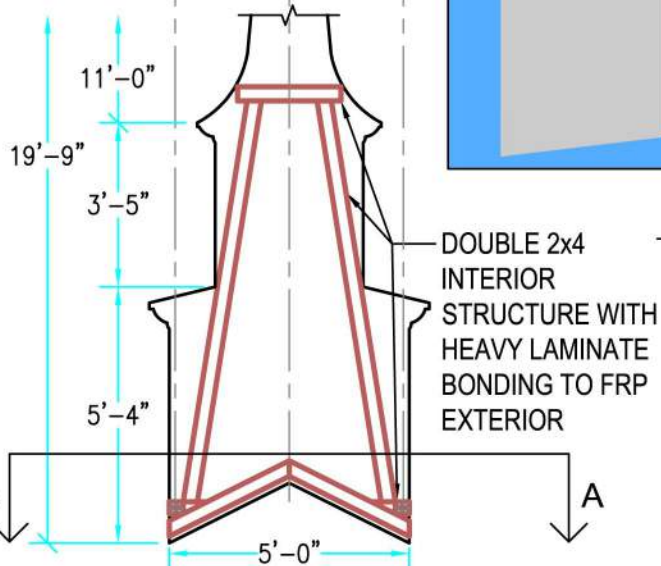
- 3' or 4' Aluminum Cross
- 8" Ball
- Round Top Simulated Louver
- Krinkle-glass Windows
- Lightning Protection
- Round open with screen Louvers in Base

ALL STEEPLES MUST BE MOUNTED ON A COMPLETED WATERPROOF ROOF SYSTEM. STEEPLE STRUCTURE IS NOT GUARANTEED TO BE LEAK PROOF.

Note: Steeple Tip will be reduced by approx. 14" when Adding Optional Cross

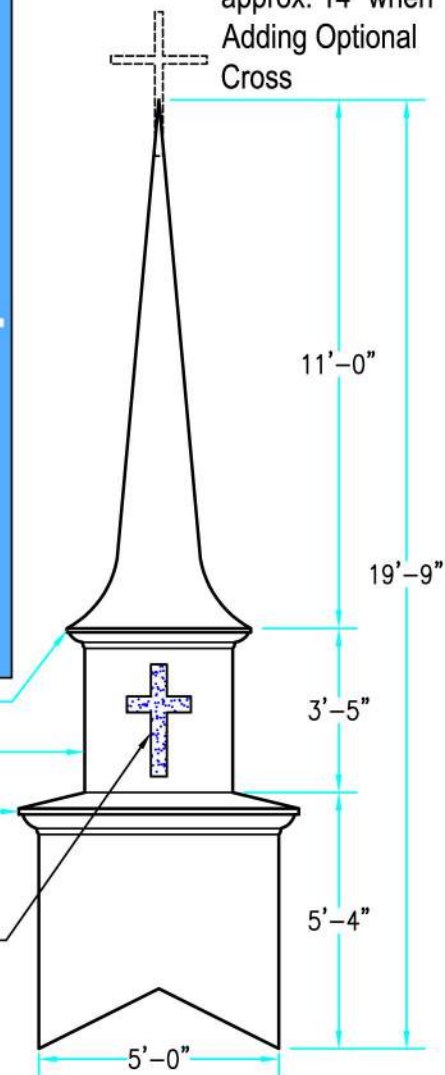


3-D VIEW



INTERIOR SUPPORT DETAIL

Scale: $\frac{1}{4}" = 1'-0"$



ELEVATION

Scale: $\frac{1}{4}" = 1'-0"$

Drawings are property of Fiberglass Unlimited, Inc.; Dimensions may change slightly to accommodate manufacturing.

STEEPLES
Model # 240

Superior Church Furnishings

1-478-275-0235