

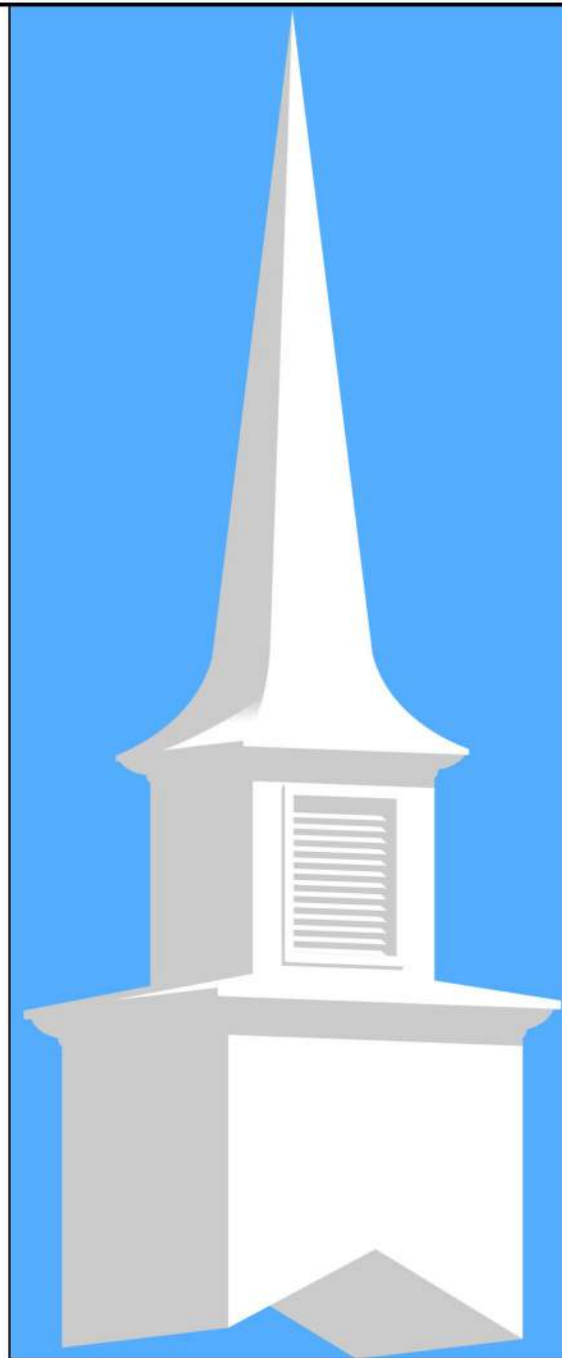
### Steeple Data

Base Width: 5'-0"  
 Steeple Height: 19'-9"  
 Weight: 550 lb.  
 One Piece Steeple unit

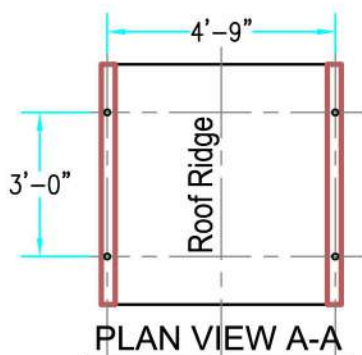
### Available Options:

- 3' or 4' Aluminum Cross
- 8" Ball
- Round Top Simulated Louver
- Krinkle-glass Windows
- Lightning Protection
- Round open with screen Louvers in Base

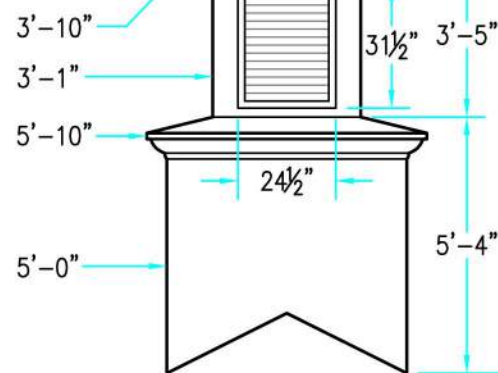
ALL STEEPLES MUST BE MOUNTED ON A COMPLETED WATERPROOF ROOF SYSTEM. STEEPLE STRUCTURE IS NOT GUARANTEED TO BE LEAK PROOF.



Note: Steeple Tip will be reduced by approx. 14" when Adding Optional Cross

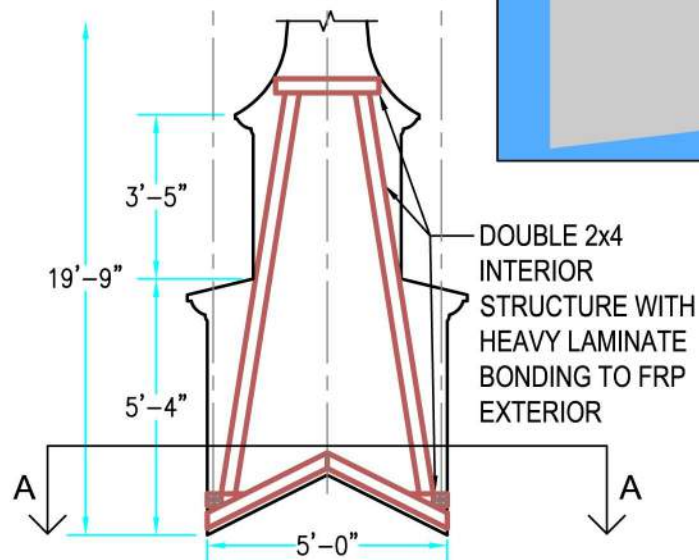


### 3-D VIEW



### ELEVATION

Scale: 1/4" = 1'-0"



### INTERIOR SUPPORT DETAIL

Scale: 1/4" = 1'-0"

Drawings are property of Fiberglass Unlimited, Inc.; Dimensions may change slightly to accommodate manufacturing.

**STEEPLES**

**Model # 220**

**Superior Church Furnishings**

1-478-275-0235