

Steeple Data

Base Width: 8'-0"
 Steeple Height: 36'-0"
 Weight: 1750 lb.
 Three-piece Steeple unit

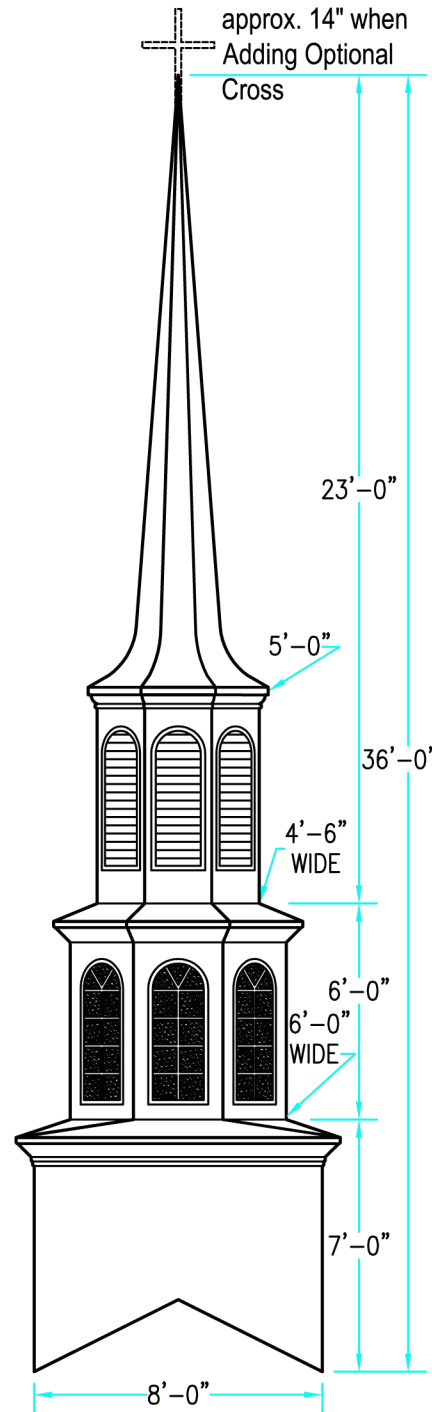
Available Options:

- 3' or 4' Aluminum Cross
- Lightning Protection
- Round Top Simulated Louvers
- Krinklglas Windows
- Round Venting Louvers in Base

ALL STEEPLES MUST BE MOUNTED ON A COMPLETED WATERPROOF ROOF SYSTEM AS LONG-TERM INSURANCE AGAINST LEAKAGE .



Note: Steeple Tip will be reduced by approx. 14" when Adding Optional Cross



23'-0"

36'-0"

4'-6" WIDE

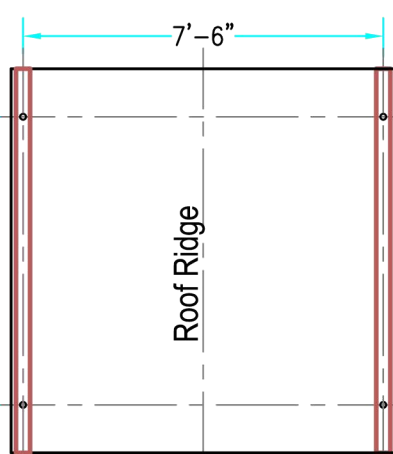
6'-0"

6'-0" WIDE

7'-0"

8'-0"

3-D VIEW

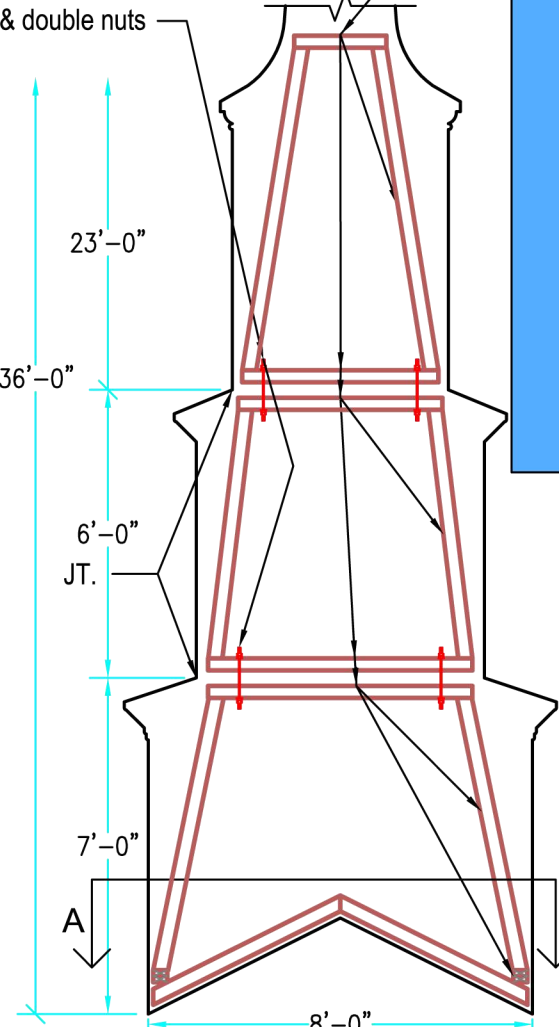


PLAN VIEW A-A

Scale: 1/4" = 1'-0"

DOUBLE 2x4 INTERIOR STRUCTURE WITH HEAVY LAMINATE BONDING TO FRP EXTERIOR

3/4" all thread with washers & double nuts



INTERIOR SUPPORT DETAIL

Scale: 1/4" = 1'-0"

Drawings are property of Fiberglass Unlimited, Inc.; Dimensions may change slightly to accommodate manufacturing.

STEEPLES

Model # 640

Superior Church Furnishings

1-478-275-0235