

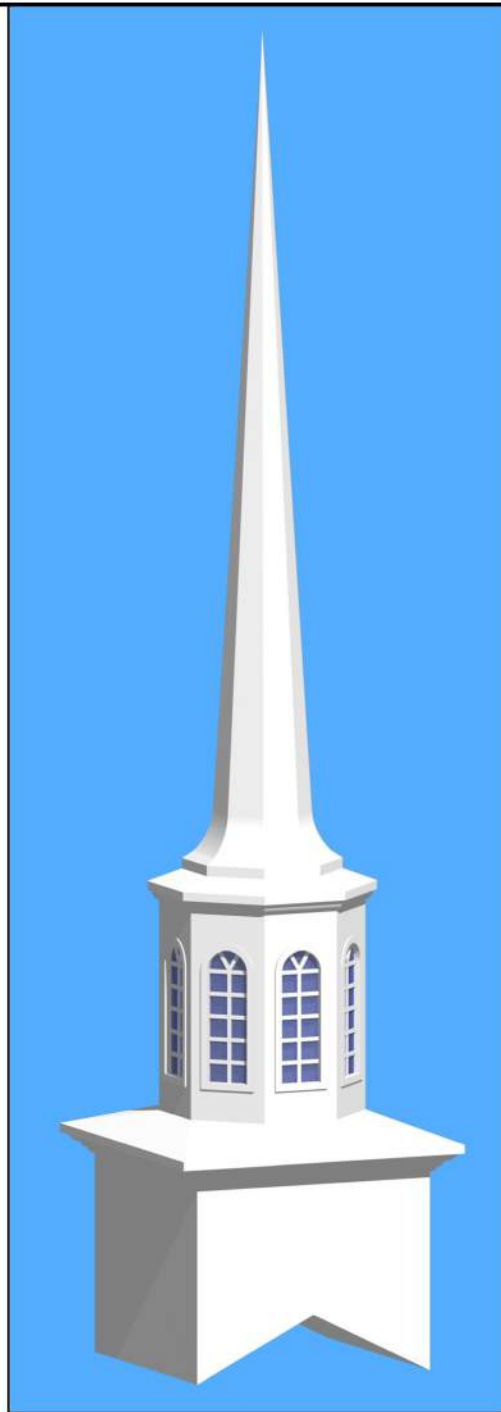
Steeple Data

Base Width: 72"
 Steeple Height: 32'-0"
 Weight: 1250 lb.
 Three-piece Steeple unit

Available Options:

- 3' or 4' Aluminum Cross
- 8" Ball
- Lightning Protection
- Round Top Simulated Louvers
- Krinkleglass Windows
- Various accessories available for Base

ALL STEEPLES MUST BE MOUNTED ON A COMPLETED WATERPROOF ROOF SYSTEM AS LONG-TERM INSURANCE AGAINST LEAKAGE .



Note: Steeple Tip will be reduced by approx. 14" when Adding Optional Cross

20'-0"

32'-0"

5' WIDE

4'-6"

6'-0"

7'-3"

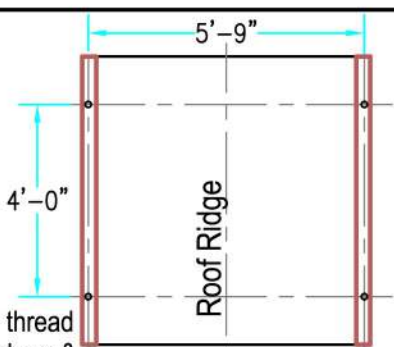
6'-0"

4'-9"

6'-0"

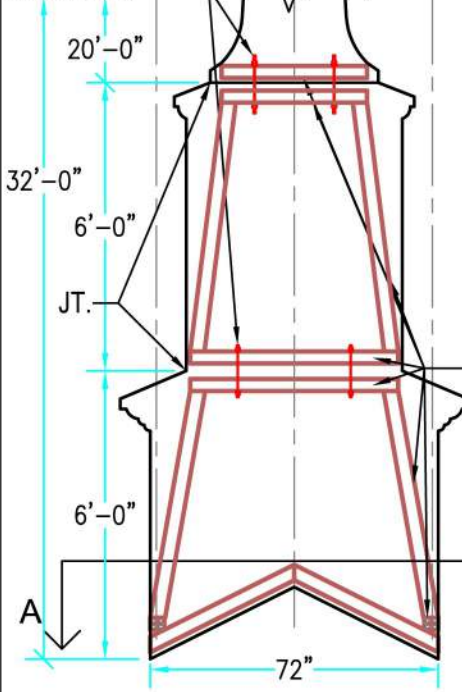
3-D VIEW

ELEVATION



PLAN VIEW A-A

3/4" all thread w/ washers & double nuts



DOUBLE 2x4 INTERIOR STRUCTURE WITH HEAVY LAMINATE BONDING TO FRP EXTERIOR

INTERIOR SUPPORT DETAIL

Scale: 1/4" = 1'-0"

Scale: 1/4" = 1'-0"

Drawings are property of Fiberglass Unlimited, Inc.; Dimensions may change slightly to accommodate manufacturing.

STEEPLES

Model # 470

Superior Church Furnishings

1-478-275-0235