

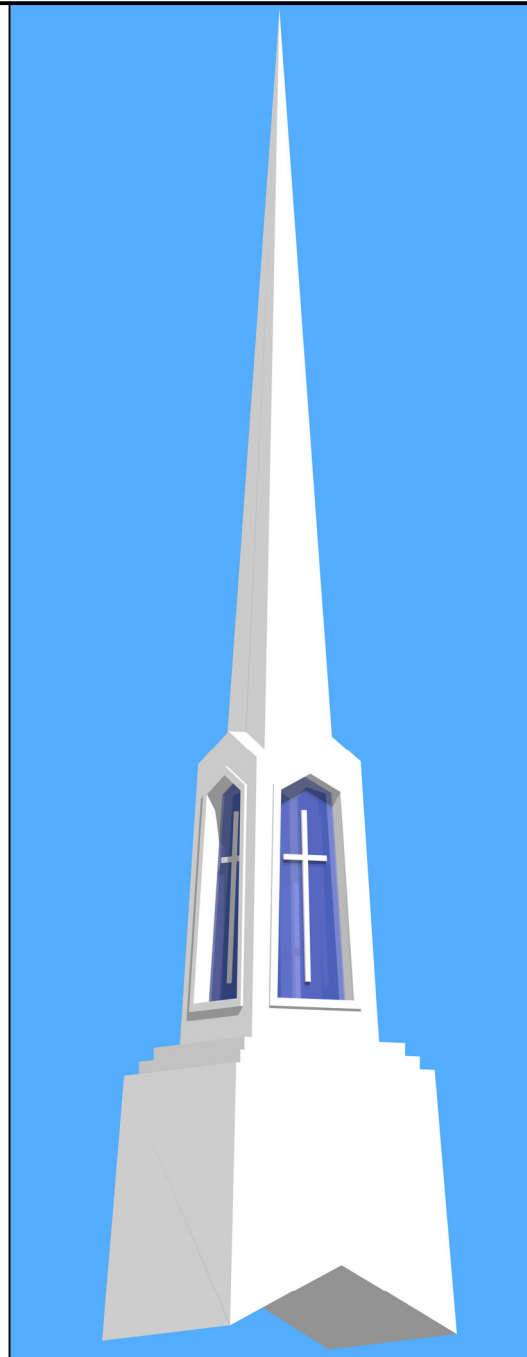
Steeple Data

Base Width: 5'-0"
 Steeple Height: 26'-0"
 Weight: 650 lb.

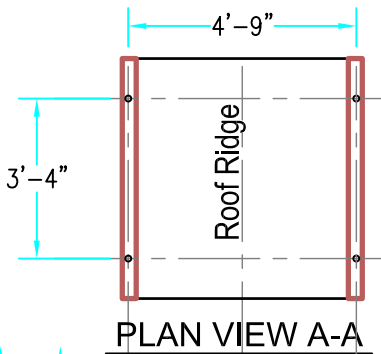
Available Options:

- 3' or 4' Aluminum Cross
- 8" Ball
- Simulated Louvers
- Krinkle-glass Windows w/ Applied Cross
- Lightning Protection
- Round Louvers In Base

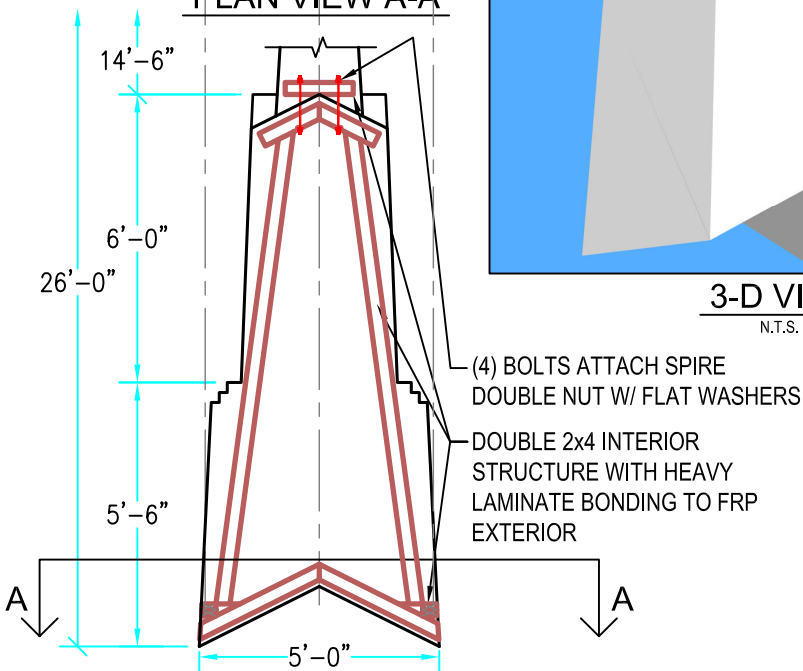
ALL STEEPLES MUST BE MOUNTED ON A COMPLETED WATERPROOF ROOF SYSTEM AS LONG-TERM INSURANCE AGAINST LEAKAGE .



3-D VIEW
N.T.S.



PLAN VIEW A-A

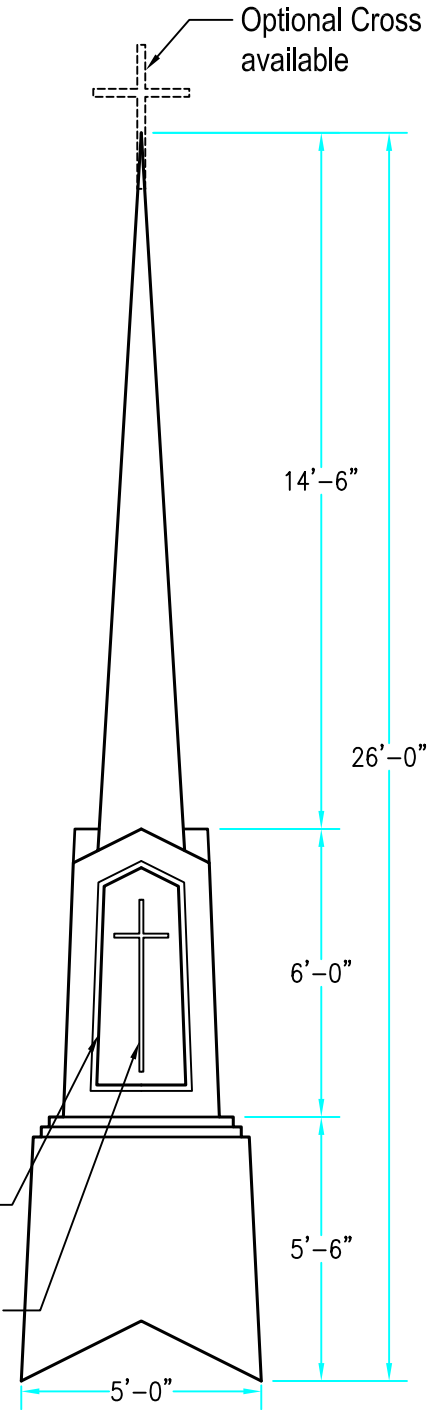


INTERIOR SUPPORT DETAIL

Scale: 1/4" = 1'-0"

Also available with Simulated louvers

(White Cross) Applied to "K" glass



ELEVATION

Scale: 1/4" = 1'-0"

Drawings are property of Fiberglass Unlimited, Inc.; Dimensions may change slightly to accommodate manufacturing.

STEEPLES
Model # 255

FIBERGLASS UNLIMITED, INC.

Phone: 1-478-275-0235

Fax: 334-863-7975

Email: info@FiberG.com

183 Industrial Ave.
 Roanoke, Alabama 36274