

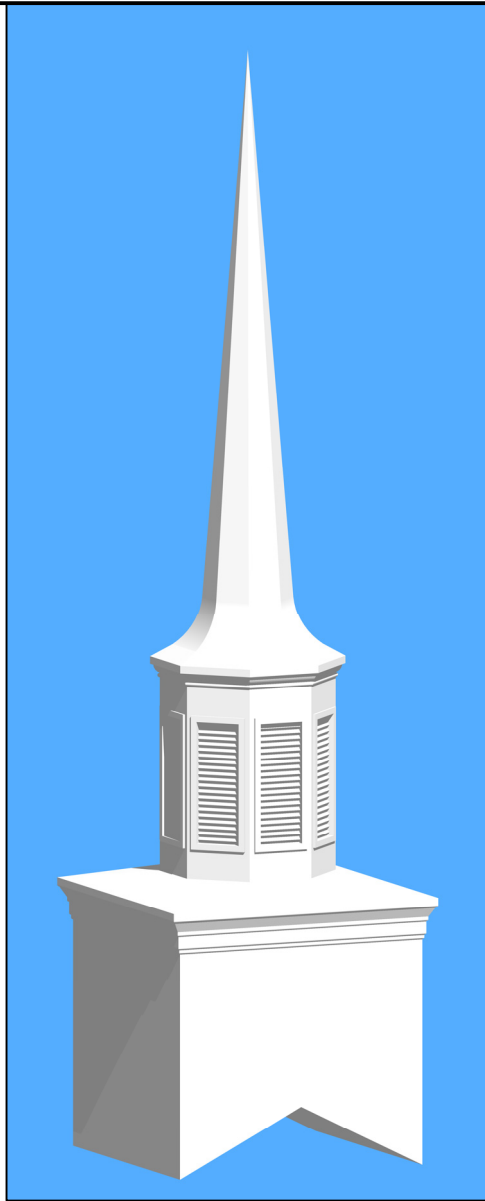
Steeple Data

Base Width: 88"
 Steeple Height: 31'-0"
 Weight: 1150 lb.
 Two-piece Steeple unit

Available Options:

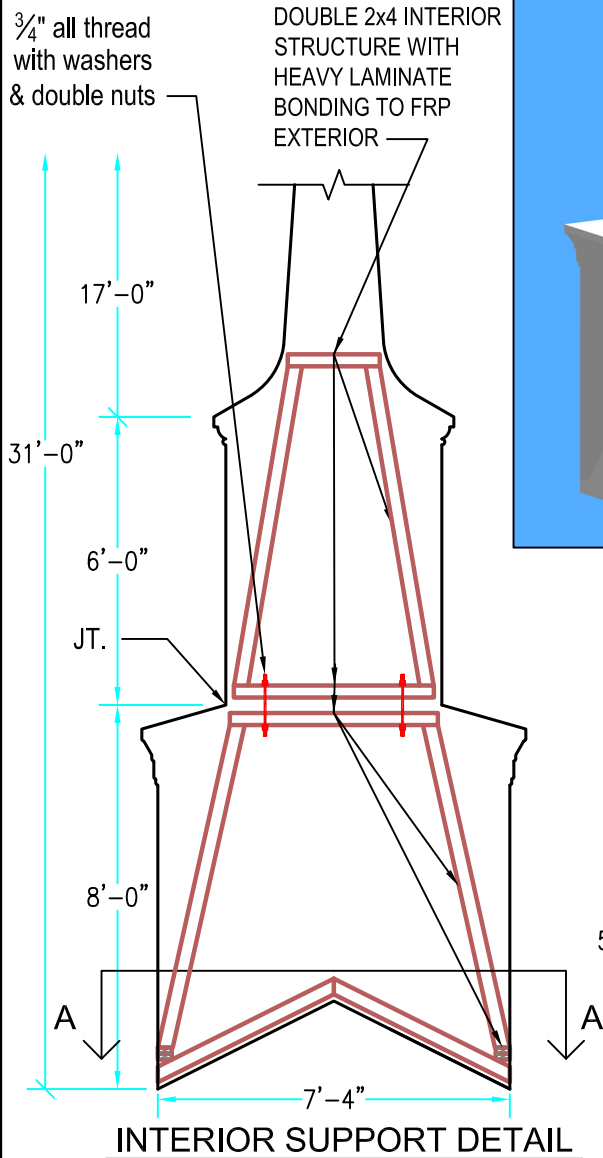
- 3' or 4' Aluminum Cross
- 8" Ball
- Lightning Protection
- Round Top Simulated Louvers
- Krinklglas Windows
- Various accessories available for Base

ALL STEEPLES MUST BE MOUNTED ON A COMPLETED WATERPROOF ROOF SYSTEM AS LONG-TERM INSURANCE AGAINST LEAKAGE .



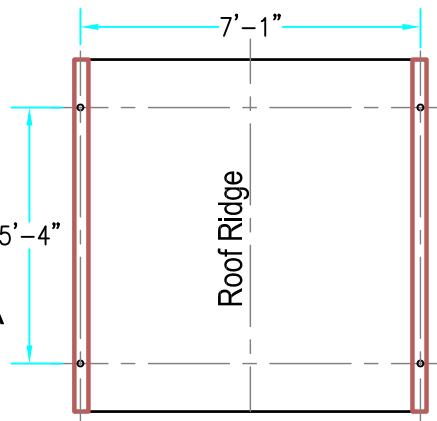
Note: Steeple Tip will be reduced by approx. 14" when Adding Optional Cross

3-D VIEW



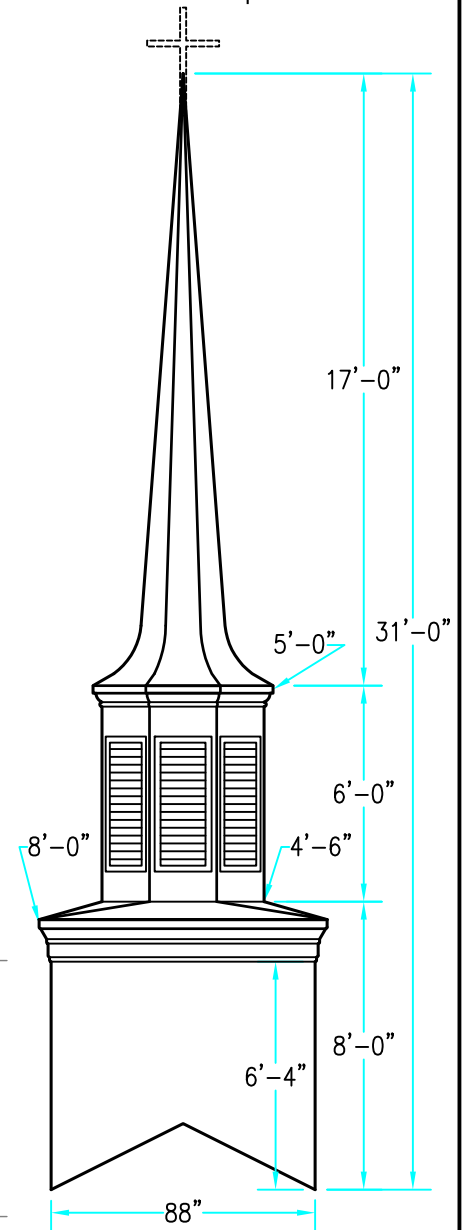
INTERIOR SUPPORT DETAIL

Scale: 1/4" = 1'-0"



PLAN VIEW A-A

Scale: 1/4" = 1'-0"



ELEVATION

Scale: 3/16" = 1'-0"

Drawings are property of Fiberglass Unlimited, Inc.; Dimensions may change slightly to accommodate manufacturing.

STEEPLES
Model # 450

FIBERGLASS UNLIMITED, INC.

Phone: 1-478-275-0235

Fax: 334-863-7975

Email: info@FiberG.com

183 Industrial Ave.
 Roanoke, Alabama 36274