

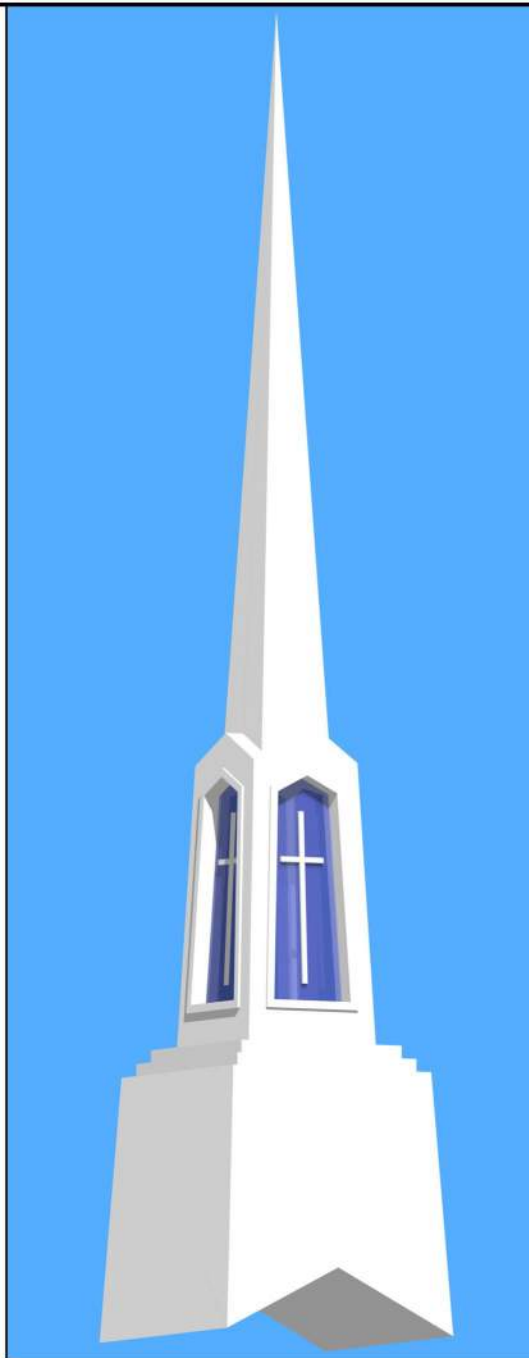
Steeple Data

Base Width: 4'-0"
 Steeple Height: 20'-6"
 Weight: 475 lb.

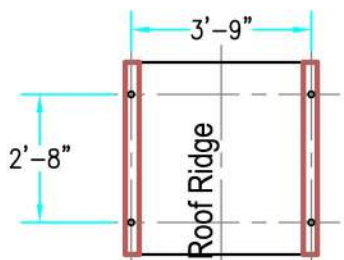
Available Options:

- 3' or 4' Aluminum Cross
- 8" Ball
- Simulated Louvers
- Krinkle-glass Windows w/ Applied Cross
- Lightning Protection
- Round Louvers In Base

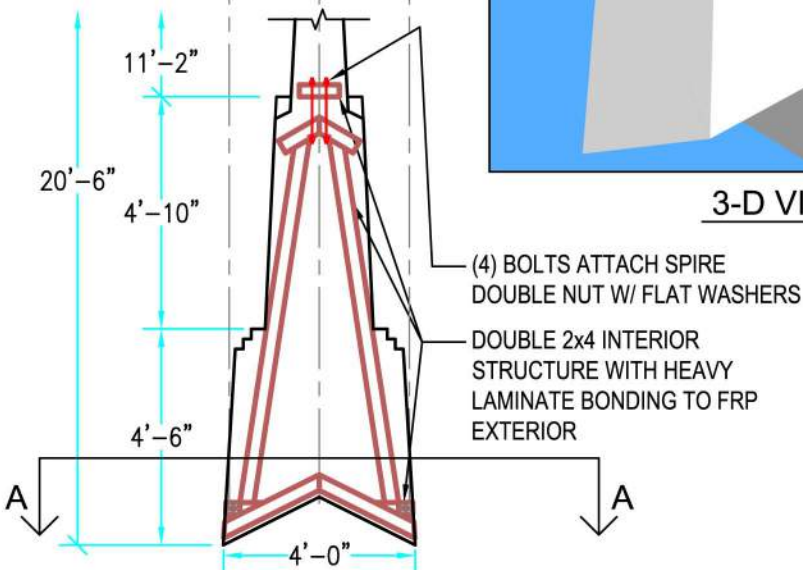
ALL STEEPLES MUST BE MOUNTED ON A COMPLETED WATERPROOF ROOF SYSTEM AS LONG-TERM INSURANCE AGAINST LEAKAGE .



3-D VIEW

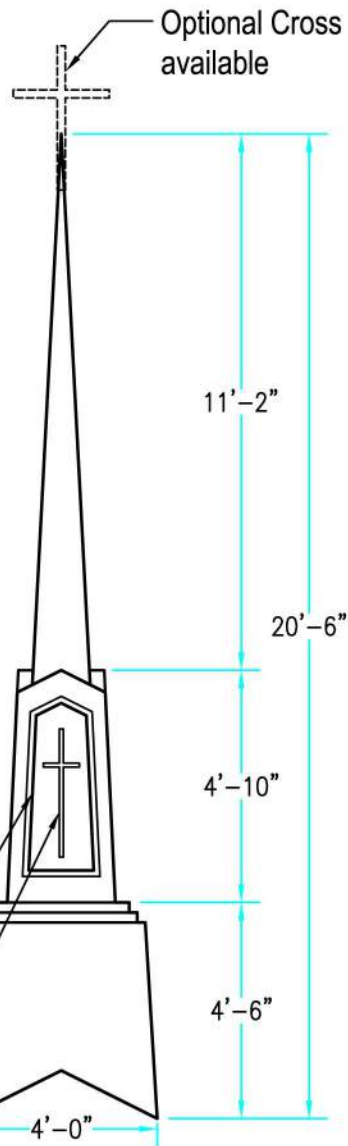


PLAN VIEW A-A



INTERIOR SUPPORT DETAIL

Scale: $\frac{1}{4}'' = 1'-0''$



ELEVATION

Scale: $\frac{1}{4}'' = 1'-0''$

Drawings are property of Fiberglass Unlimited, Inc.; Dimensions may change slightly to accommodate manufacturing.

STEEPLES
Model # 250

Superior Church Furnishings

1-478-275-0235