

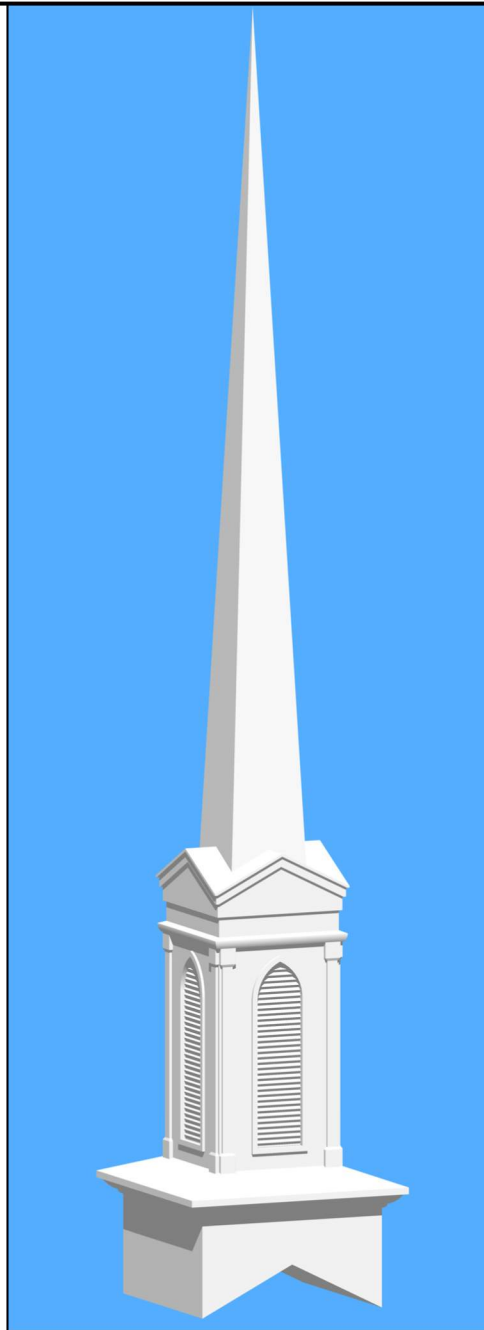
## Steeple Data

Base Width: 6'-0"  
 Steeple Height: 40'-0"  
 Weight: 1200 lb.  
 Three-piece Steeple unit

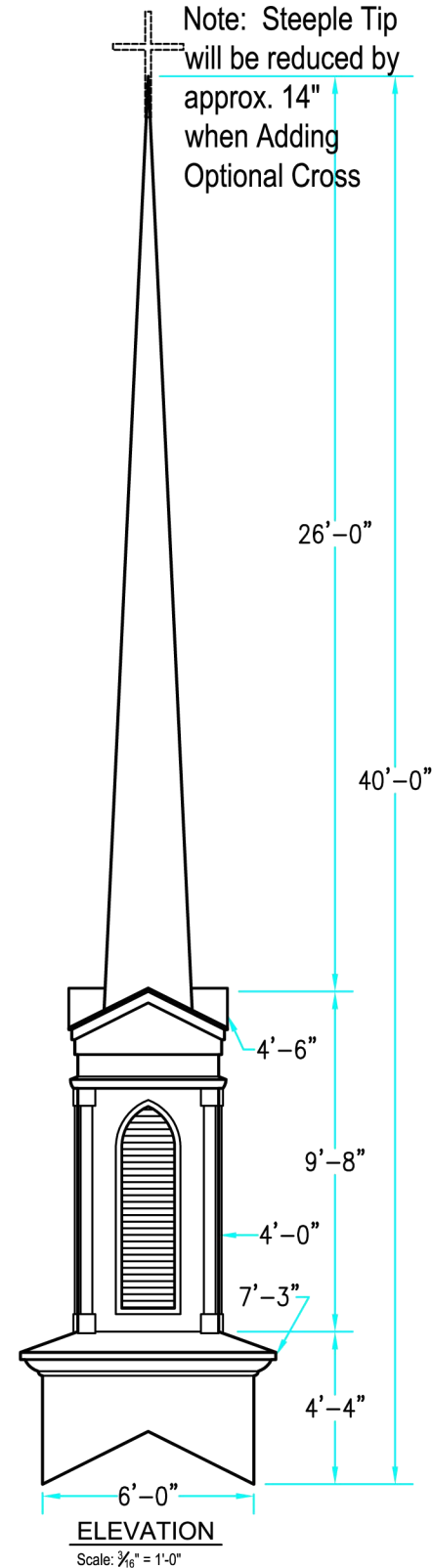
### Available Options:

- 3' or 4' Aluminum Cross
- Lightning Protection
- Simulated Louvers
- Krinklglas Windows

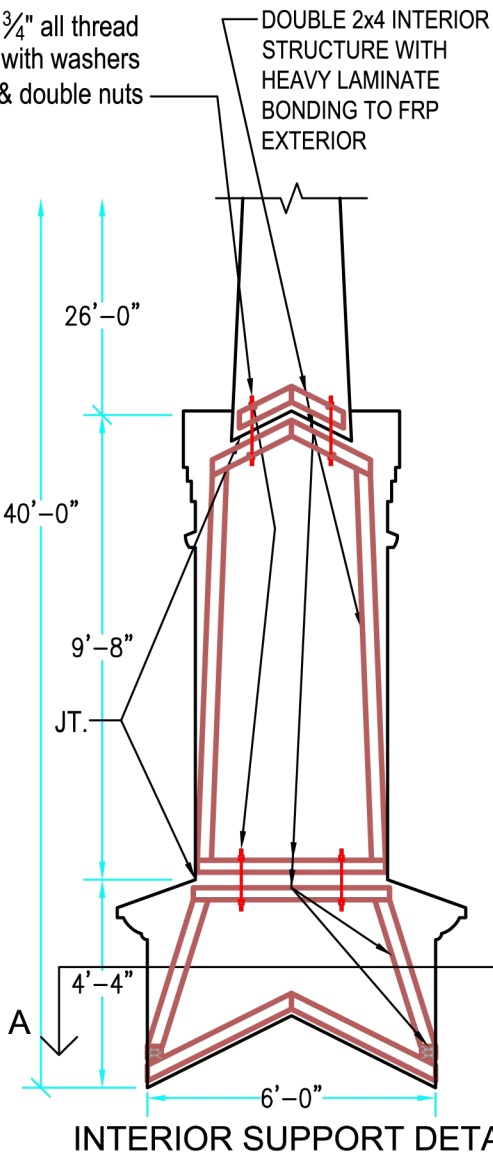
ALL STEEPLES MUST BE MOUNTED ON A COMPLETED WATERPROOF ROOF SYSTEM AS LONG-TERM INSURANCE AGAINST LEAKAGE.



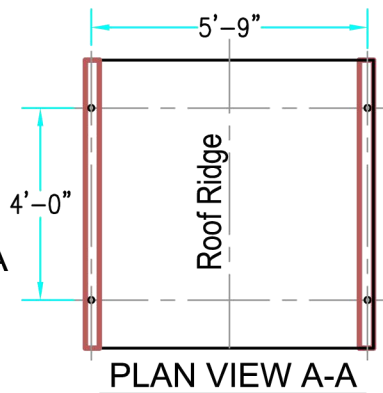
3-D VIEW



ELEVATION



INTERIOR SUPPORT DETAIL



PLAN VIEW A-A

Drawings are property of Fiberglass Unlimited, Inc.; Dimensions may change slightly to accommodate manufacturing.

STEEPLES

Model # 465

Superior Church Furnishings

1-478-275-0235