

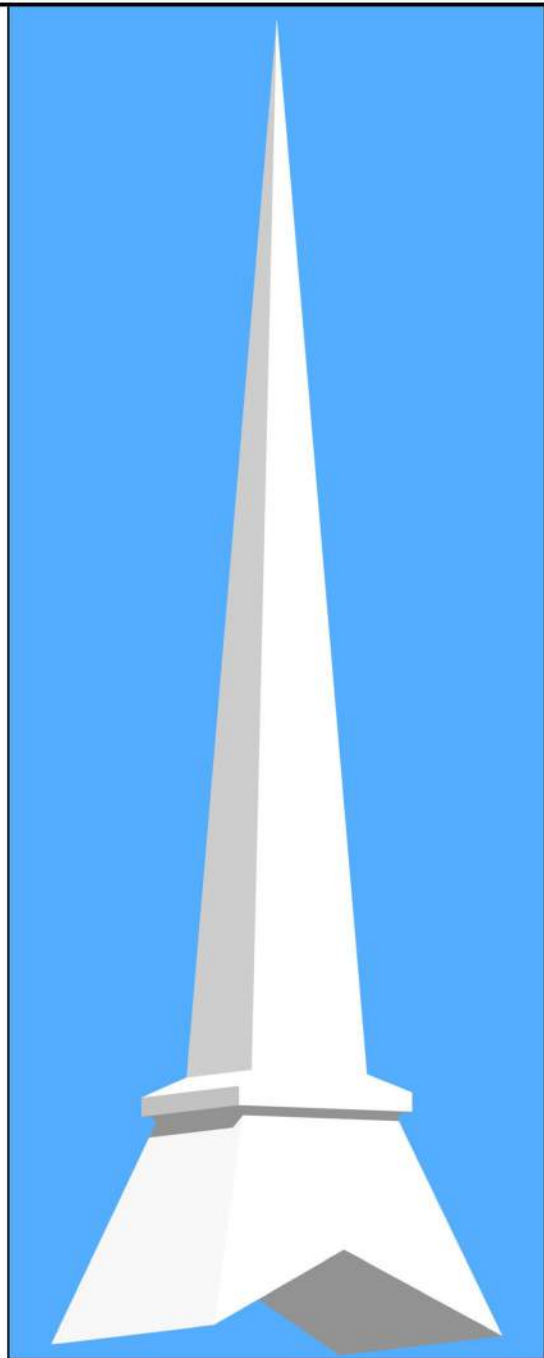
### Steeple Data

Base Width: 5'-0"  
 Steeple Height: 20'-0"  
 Weight: 300 lb.  
 One Piece Steeple unit

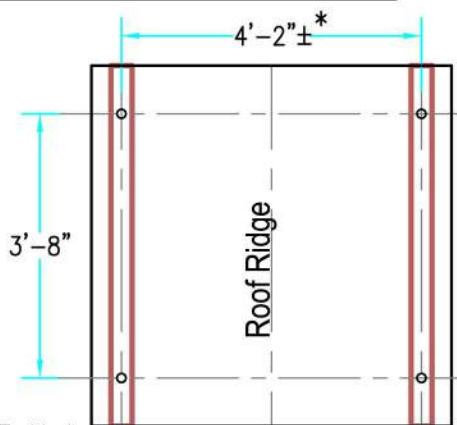
### Available Options:

- 3' or 4' Aluminum Cross
- 8" Ball
- Lightning Protection
- Krinkle-glass Cross cut in to Base of Spire

ALL STEEPLES MUST BE MOUNTED ON A COMPLETED WATERPROOF ROOF SYSTEM AS LONG-TERM INSURANCE AGAINST LEAKAGE .

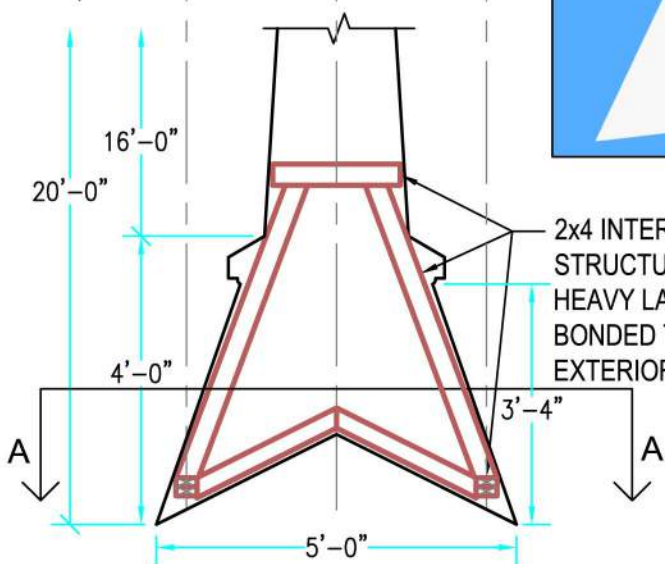


3-D VIEW



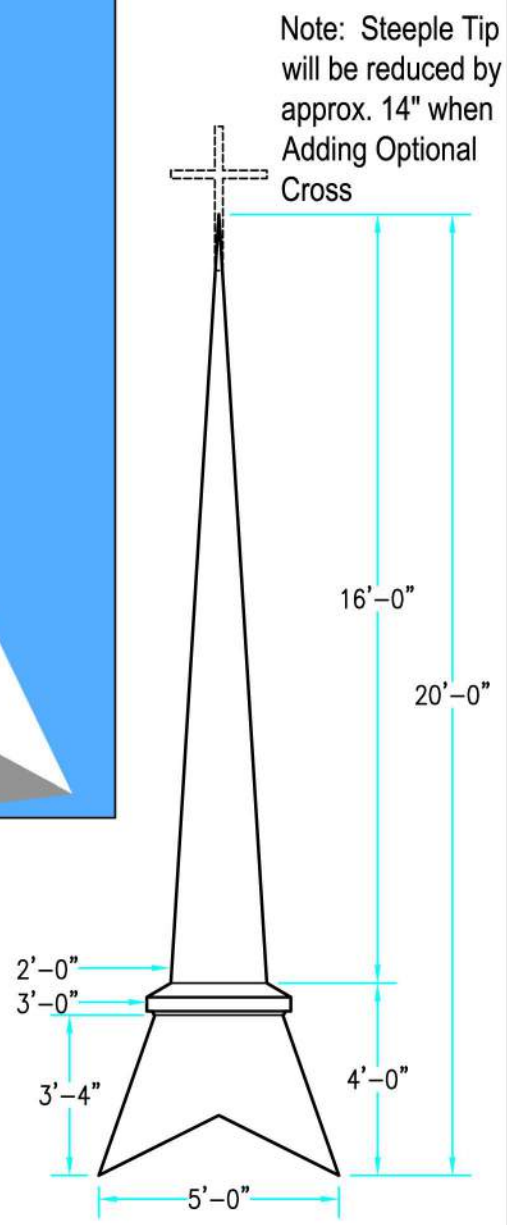
PLAN VIEW A-A

\* NOTE: Varies according to roof pitch



INTERIOR SUPPORT DETAIL

Scale: 3/8" = 1'-0"



ELEVATION

Scale: 1/4" = 1'-0"

Drawings are property of Fiberglass Unlimited, Inc.; Dimensions may change slightly to accommodate manufacturing.

**STEEPLES**  
**Model # 280**

**Superior Church Furnishings**

1-478-275-0235