

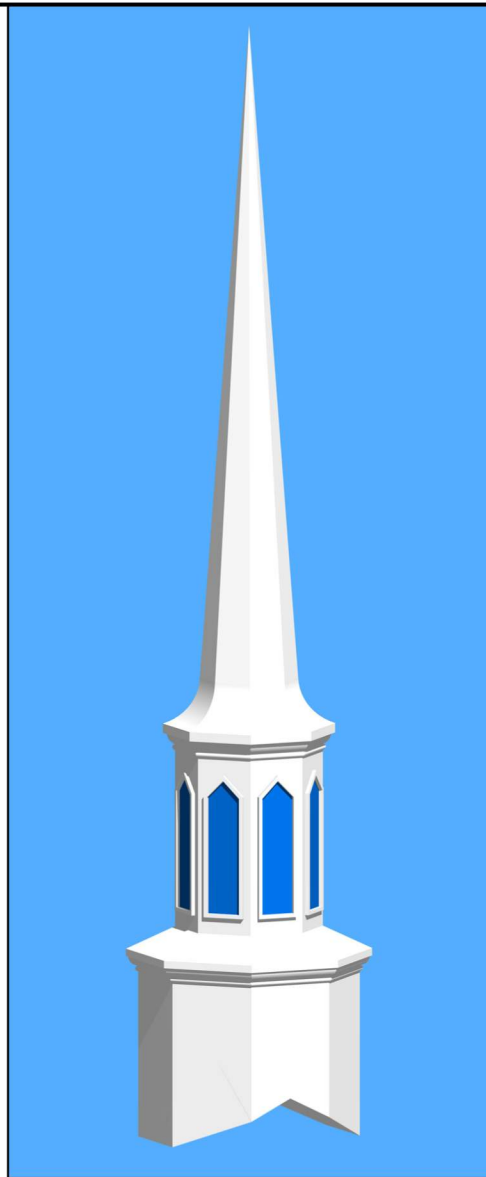
## Steeple Data

Base Width: 4'-6"  
 Steeple Height: 24'-8"  
 Weight: 600 lb.  
 Two-piece Steeple unit

### Available Options:

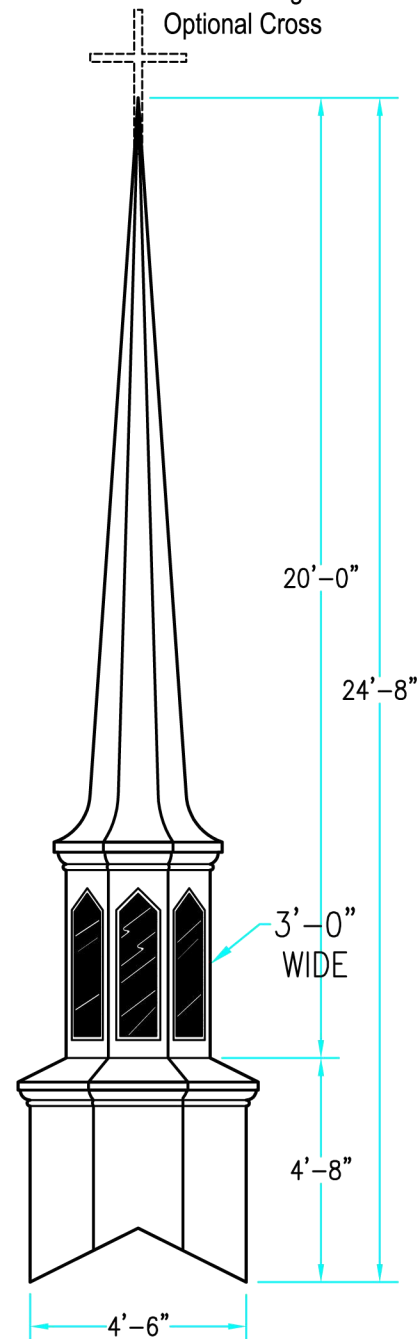
- 3' or 4' Aluminum Cross
- Lightning Protection
- Simulated Louvers
- Kringleglass Windows
- Round Venting Louvers In Base

ALL STEEPLES MUST BE MOUNTED ON A COMPLETED WATERPROOF ROOF SYSTEM AS LONG-TERM INSURANCE AGAINST LEAKAGE .



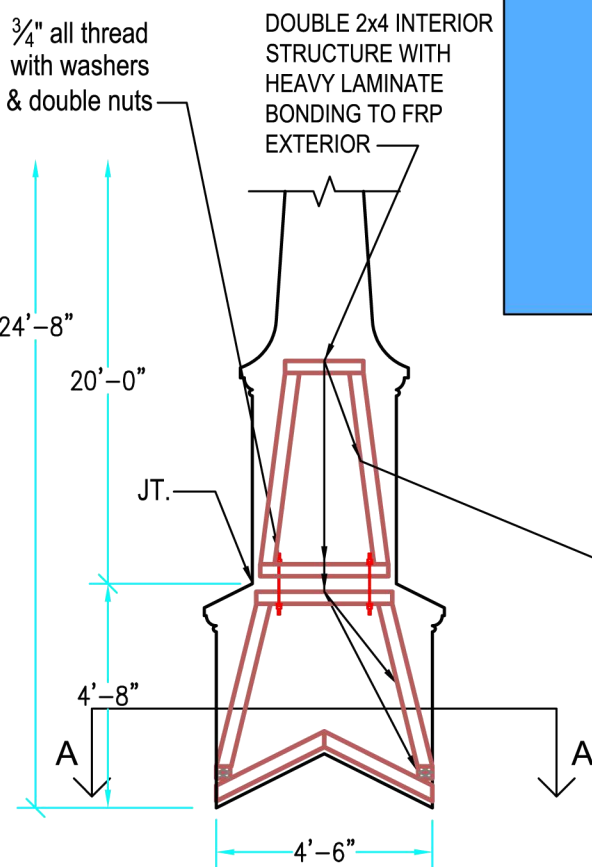
3-D VIEW

Note: Steeple Tip will be reduced by approx. 14" when Adding Optional Cross



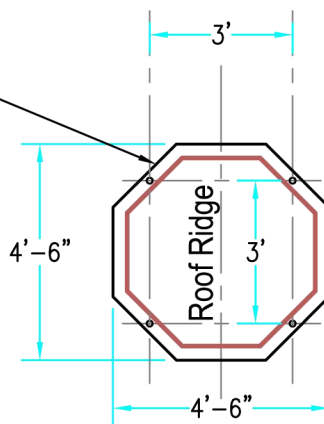
ELEVATION

Scale:  $\frac{1}{4}'' = 1'-0''$



INTERIOR SUPPORT DETAIL

Scale:  $\frac{1}{4}'' = 1'-0''$



PLAN VIEW A-A

Scale:  $\frac{1}{4}'' = 1'-0''$

Drawings are property of Fiberglass Unlimited, Inc.; Dimensions may change slightly to accommodate manufacturing.

**STEEPLES**  
**Model # 350**

Superior Church Furnishings

1-478-275-0235