

**Steeple Data**

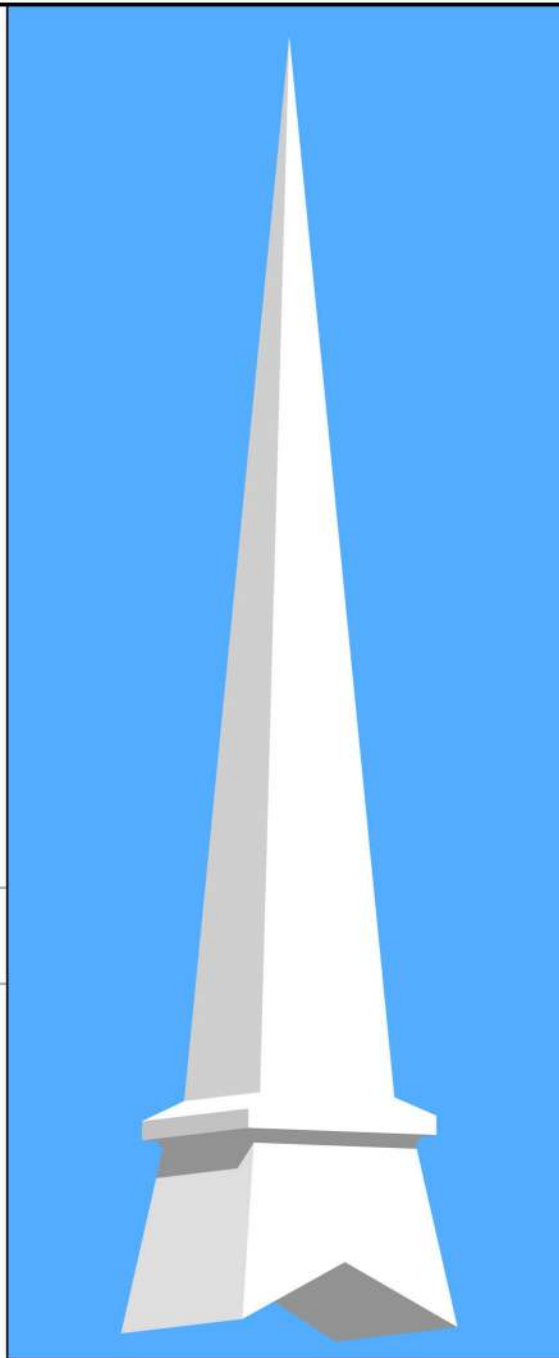
Base Width: 2'-8"  
 Steeple Height: 14'-0"  
 Weight: 150 lb.  
 One Piece Steeple unit

**Available Options:**

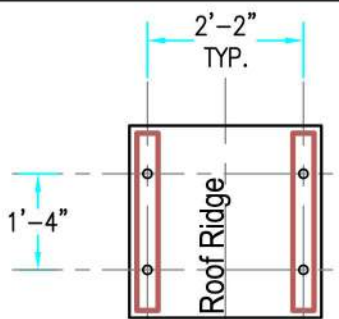
- 2' or 3' Aluminum Cross
- 8" Ball
- Lightning Protection

ALL STEEPLES MUST BE MOUNTED ON A COMPLETED WATERPROOF ROOF SYSTEM AS LONG-TERM INSURANCE AGAINST LEAKAGE .

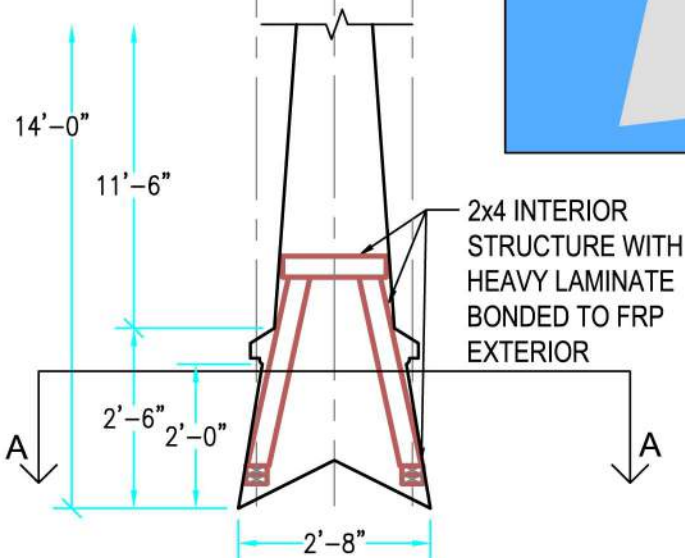
Note: Steeple Tip will be reduced by approx. 14" when Adding Optional Cross



**3-D VIEW**

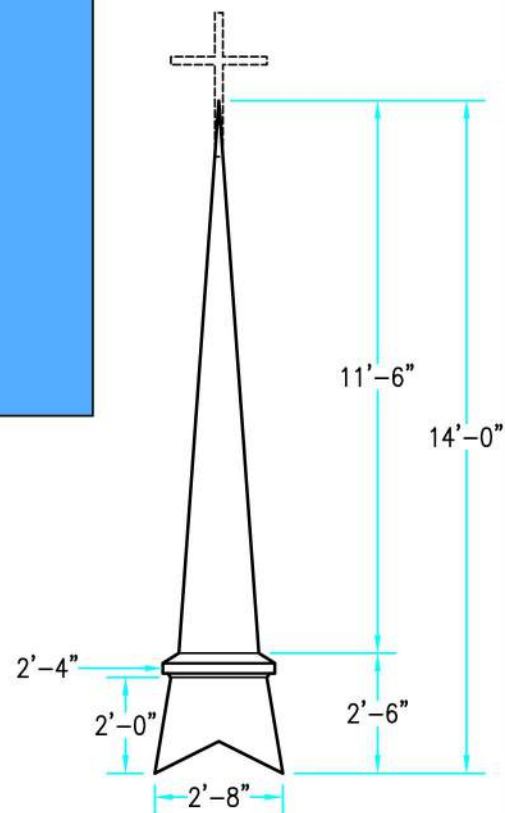


**PLAN VIEW A-A**



**INTERIOR SUPPORT DETAIL**

Scale: 3/8" = 1'-0"



**ELEVATION**

Scale: 1/2" = 1'-0"

2x4 INTERIOR STRUCTURE WITH HEAVY LAMINATE BONDED TO FRP EXTERIOR

Drawings are property of Fiberglass Unlimited, Inc.; Dimensions may change slightly to accommodate manufacturing.

**STEEPLES**  
**Model # 200**

**Superior Church Furnishings**

1-478-275-0235