

Steeple Data

Base Width: 5'-0"
Steeple Height: 28'-0"
Weight: 450 lb.

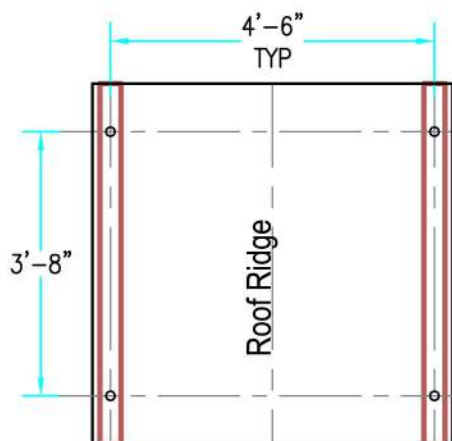
Available Options:

- 3' or 4' Aluminum Cross
- 8" Ball
- Lightning Protection

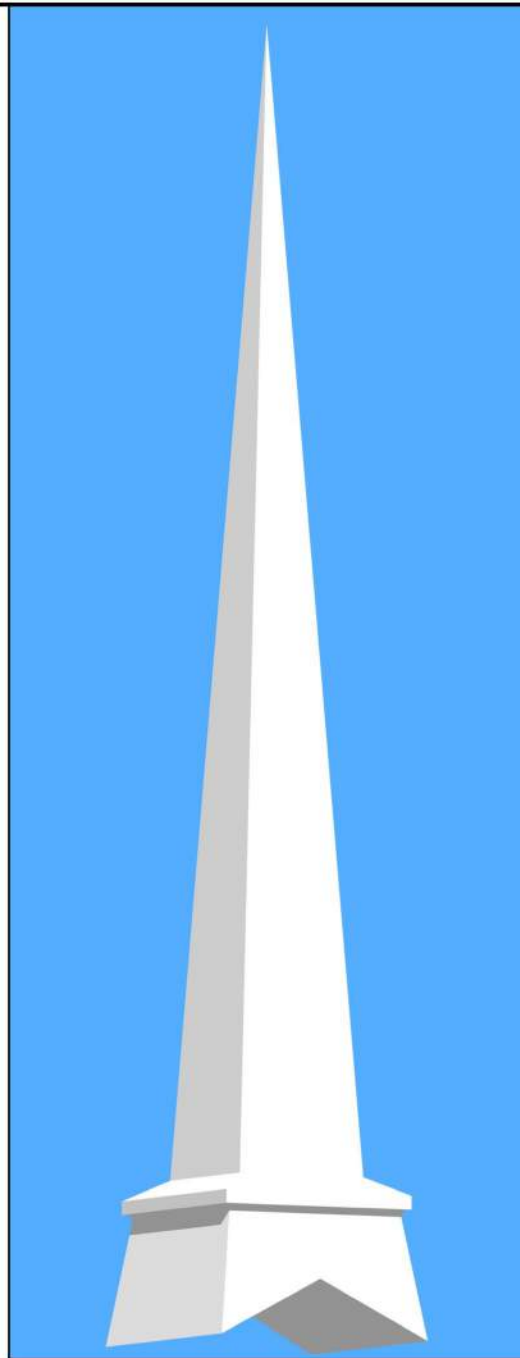
ALL STEEPLES MUST BE MOUNTED ON A COMPLETED WATERPROOF ROOF SYSTEM AS LONG-TERM INSURANCE AGAINST LEAKAGE .



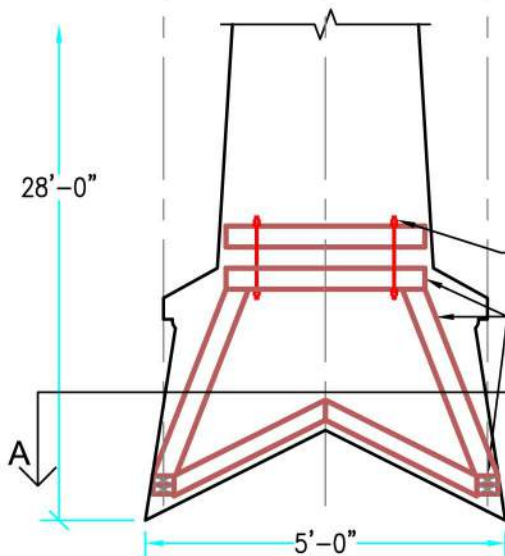
Note: Steeple Tip will be reduced by approx. 14" when Adding Optional Cross



PLAN VIEW A-A

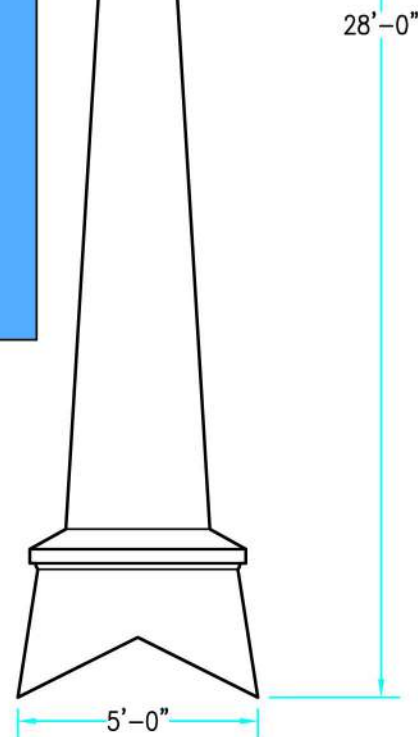


3-D VIEW



INTERIOR SUPPORT DETAIL

Scale: 3/8" = 1'-0"



ELEVATION

Scale: 1/4" = 1'-0"

Drawings are property of Fiberglass Unlimited, Inc.; Dimensions may change slightly to accommodate manufacturing.

STEEPLES
Model # 290

Superior Church Furnishings

1-478-275-0235