

### Steeple Data

Base Width: 6'-0"  
 Steeple Height: 26'-0"  
 Weight: 825 lb.  
 Two-piece Steeple unit

### Available Options:

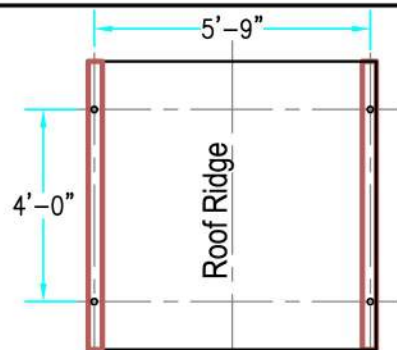
- 3' or 4' Aluminum Cross
- 8" Ball
- Simulated Louvers
- Krinklglas Windows
- Lightning Protection
- Round Louvers In Base



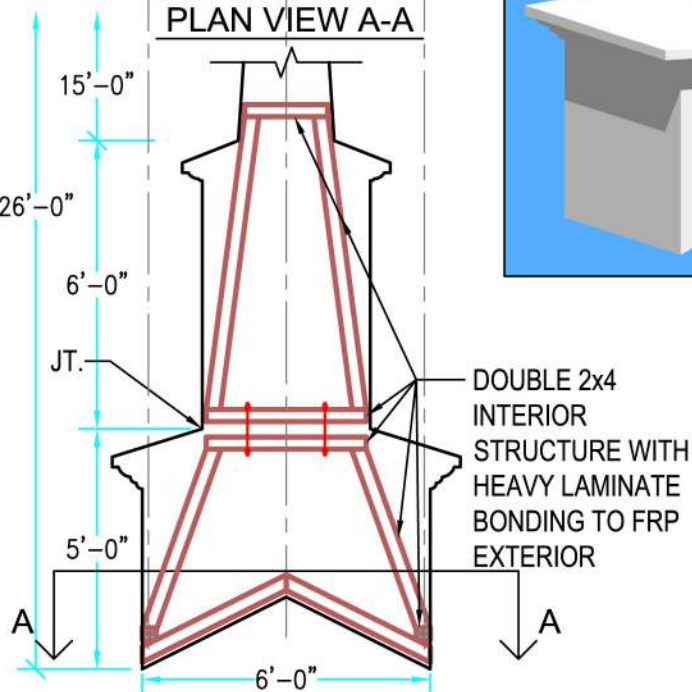
**3-D VIEW**

ALL STEEPLES MUST BE MOUNTED ON A COMPLETED WATERPROOF ROOF SYSTEM AS LONG-TERM INSURANCE AGAINST LEAKAGE .

Note: Steeple Tip will be reduced by approx. 14" when Adding Optional Cross

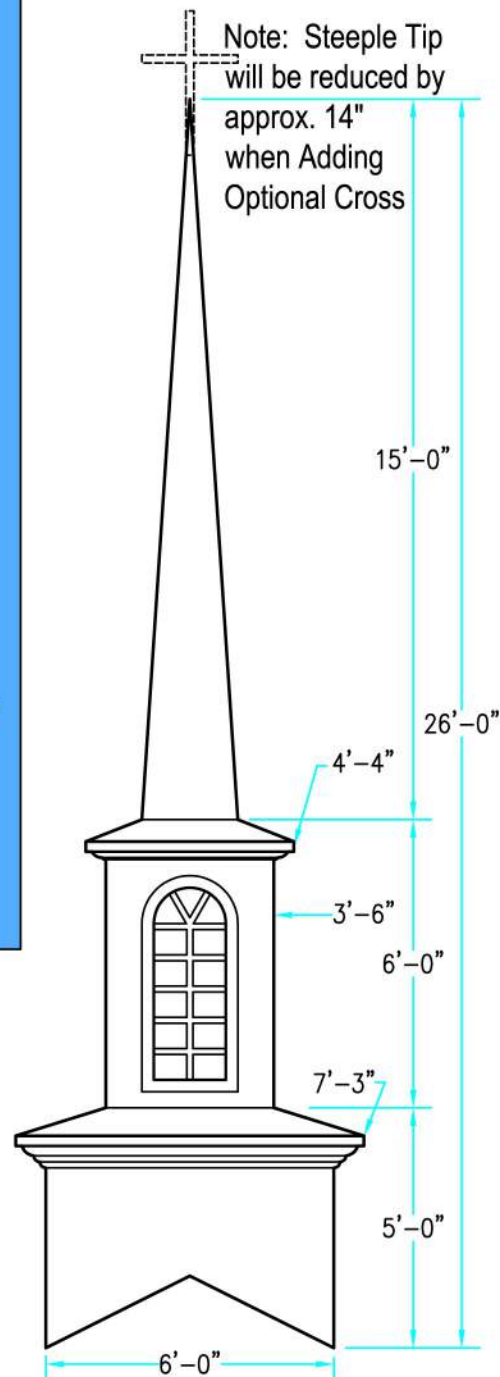


**PLAN VIEW A-A**



**INTERIOR SUPPORT DETAIL**

Scale: 1/4" = 1'-0"



**ELEVATION**

Scale: 1/4" = 1'-0"

Drawings are property of Fiberglass Unlimited, Inc.; Dimensions may change slightly to accommodate manufacturing.

**STEEPLES**  
**Model # 346**

**Superior Church Furnishings**

1-478-275-0235