

Steeple Data

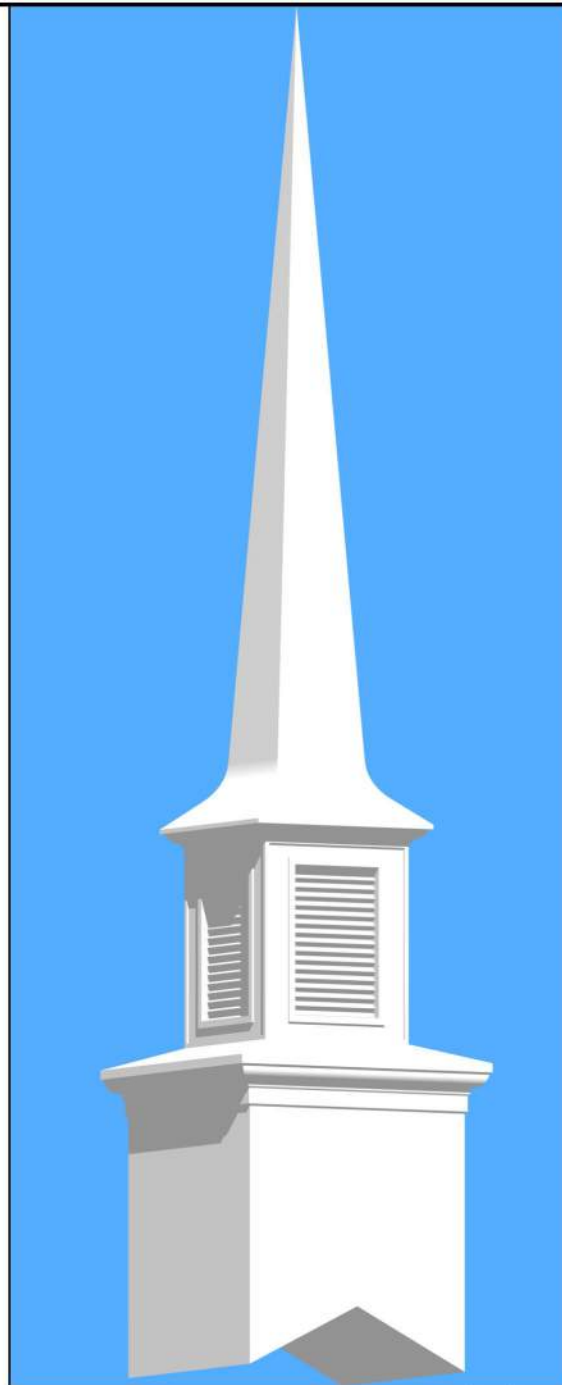
Base Width: 4'-6"
 Steeple Height: 25'-0"
 Weight: 600 lb.
 One Piece Steeple unit

Available Options:

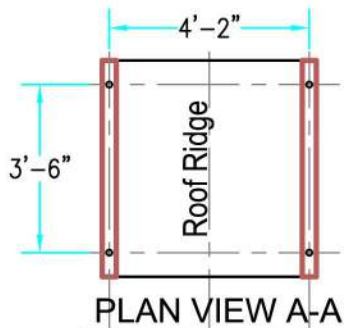
- 3' or 4' Aluminum Cross
- 8" Ball
- Rect. or Round top: Simulated Louvers, Venting Louvers or "K" glass Windows
- Lightning Protection
- Round Louvers In Base

ALL STEEPLES MUST BE MOUNTED ON A COMPLETED WATERPROOF ROOF SYSTEM AS LONG-TERM INSURANCE AGAINST LEAKAGE .

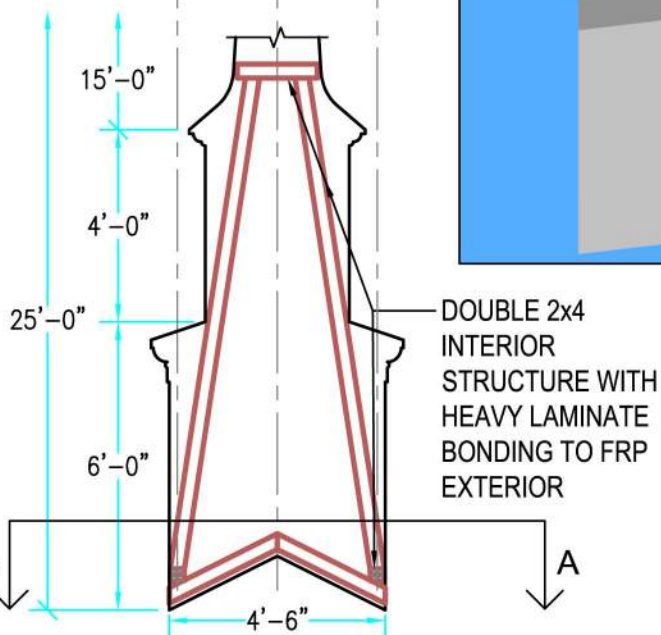
Note: Steeple Tip will be reduced by approx. 14" when Adding Optional Cross



3-D VIEW

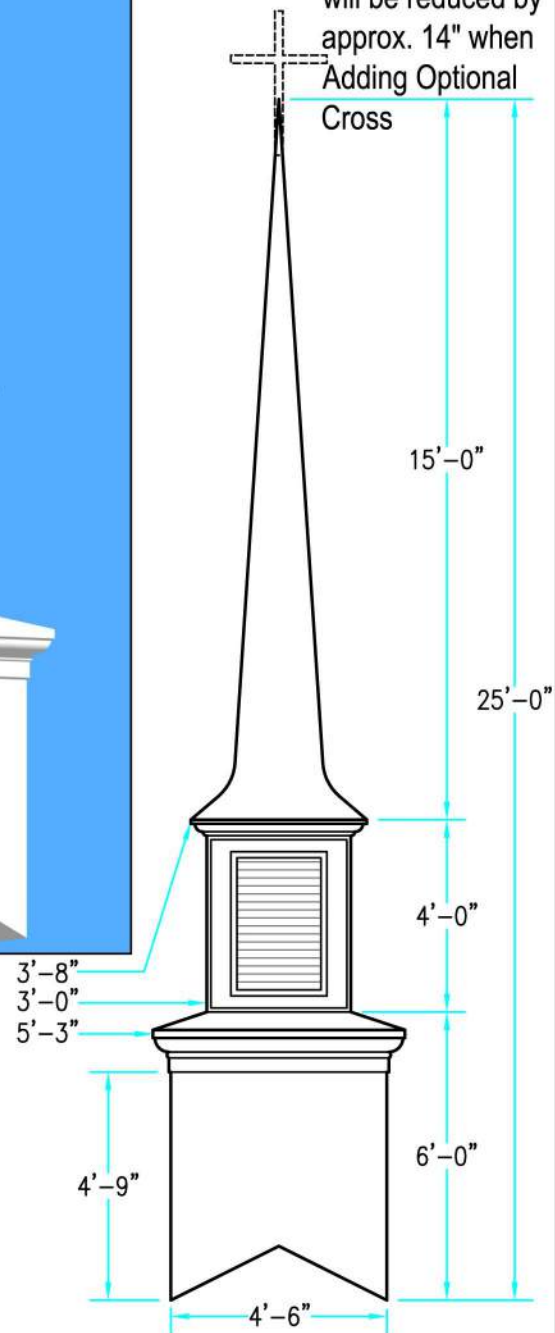


PLAN VIEW A-A



INTERIOR SUPPORT DETAIL

Scale: 1/4" = 1'-0"



ELEVATION

Scale: 1/4" = 1'-0"

Drawings are property of Fiberglass Unlimited, Inc.; Dimensions may change slightly to accommodate manufacturing.

STEEPLES
Model # 330

Superior Church Furnishings

1-478-275-0235