

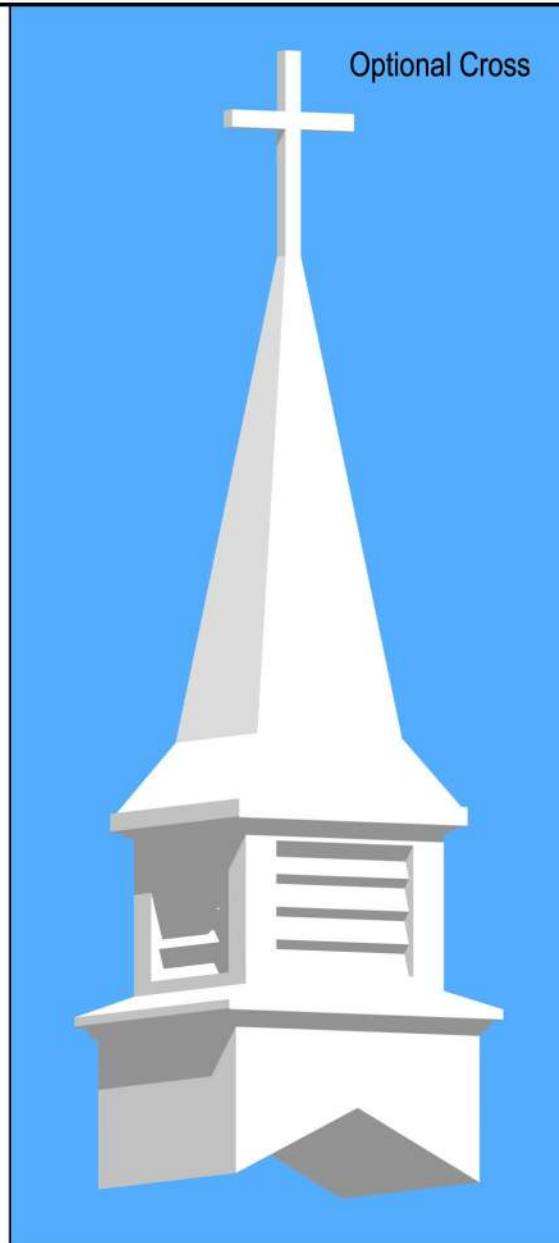
Steeple Data

Base Width: 2'-8"  
 Steeple Height: 9'-5"  
 Weight: 150 lb.  
 One Piece Steeple unit

Available Options:

- 2' or 3' Aluminum Cross
- Lightning Protection

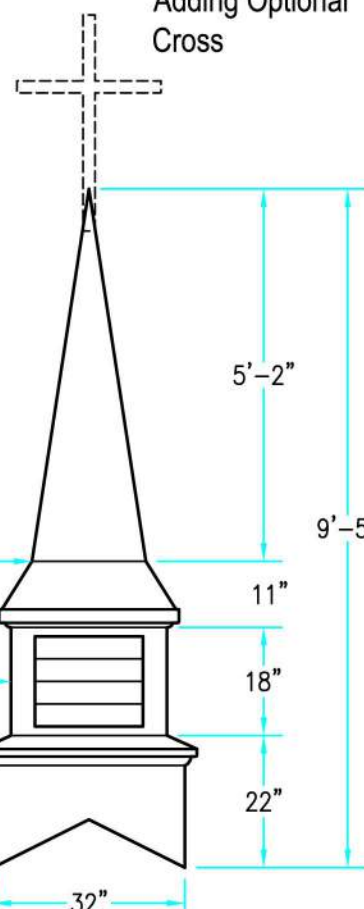
ALL STEEPLES MUST BE MOUNTED ON A COMPLETED WATERPROOF ROOF SYSTEM AS LONG-TERM INSURANCE AGAINST LEAKAGE .



Optional Cross

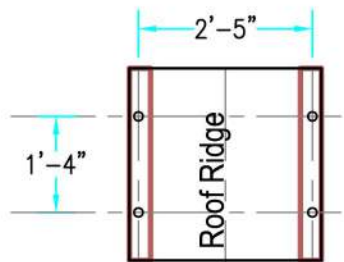
3-D VIEW

Note: Steeple Tip will be reduced by approx. 14" when Adding Optional Cross

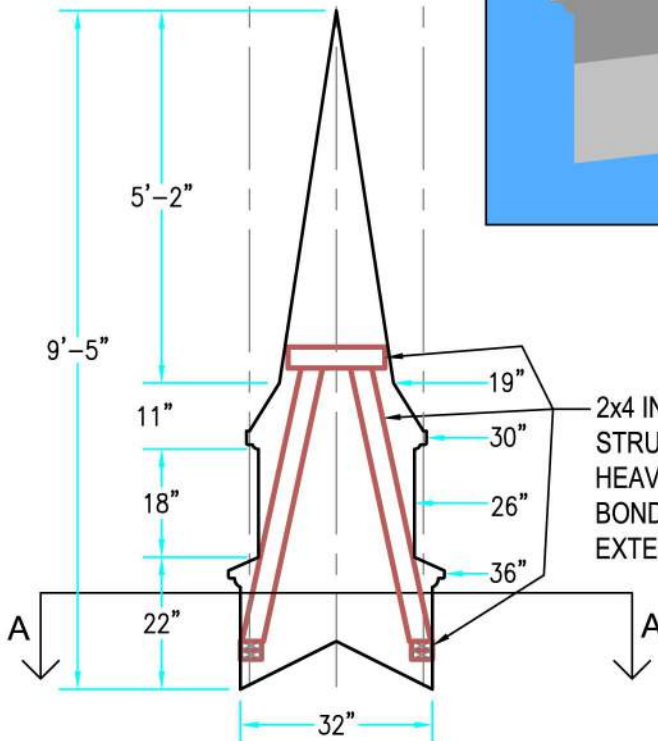


ELEVATION

Scale: 3/8" = 1'-0"



PLAN VIEW A-A



INTERIOR SUPPORT DETAIL

Scale: 3/8" = 1'-0"

Drawings are property of Fiberglass Unlimited, Inc.; Dimensions may change slightly to accommodate manufacturing.

**STEEPLES**

**Model # C110**

**Superior Church Furnishings**

1-478-275-0235