

Steeple Data

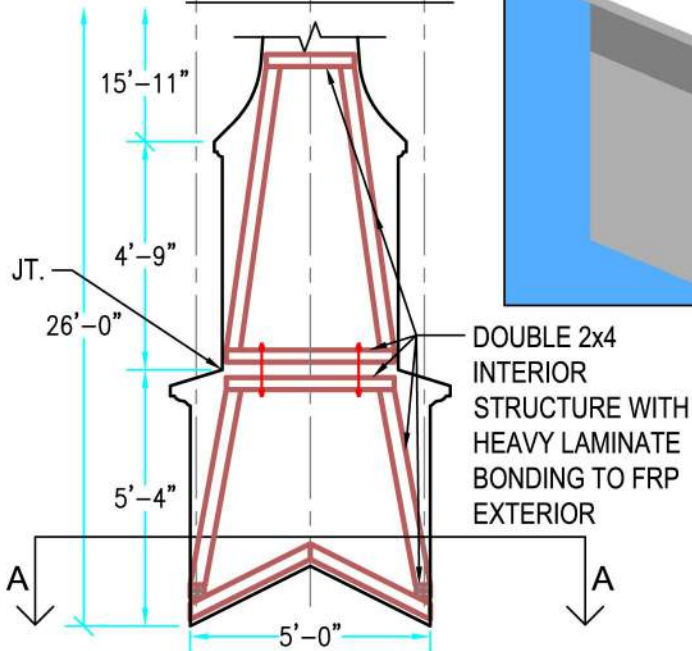
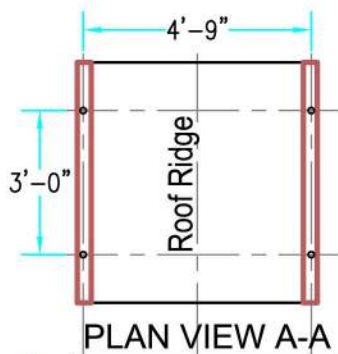
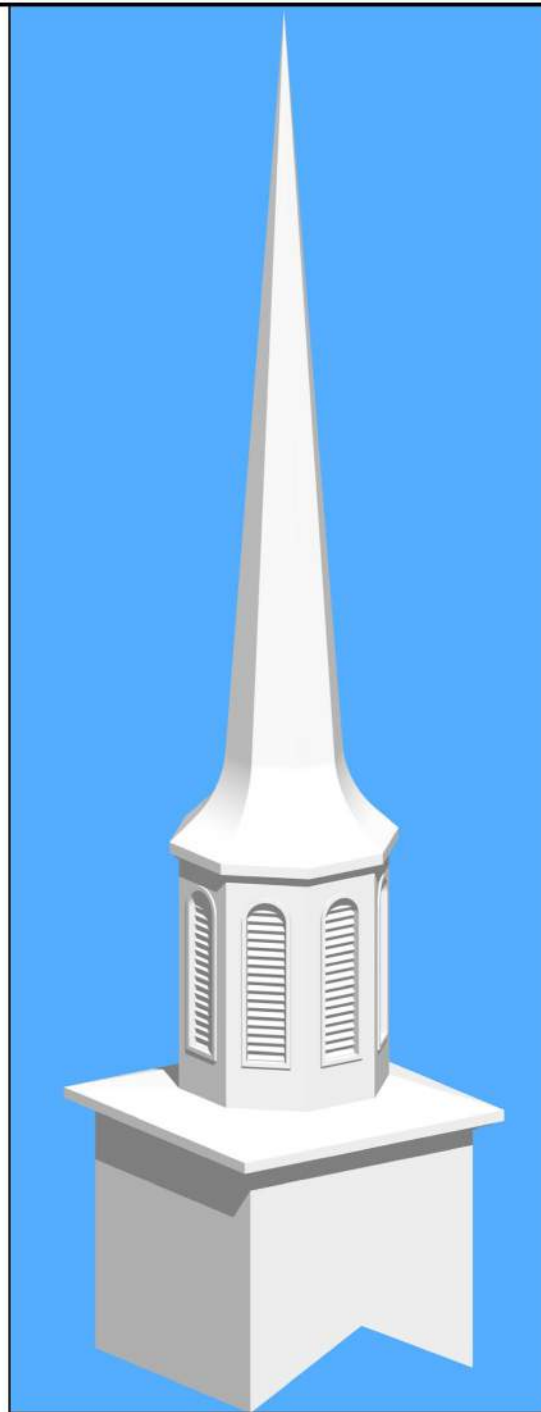
Base Width: 5'-0"
 Steeple Height: 26'-0"
 Weight: 675 lb.
 Two-piece Steeple unit

Available Options:

- 3' or 4' Aluminum Cross
- 8" Ball
- Rect. or Round top: Simulated Louvers or "K" glass Windows
- Lightning Protection
- Round Louvers In Base

ALL STEEPLES MUST BE MOUNTED ON A COMPLETED WATERPROOF ROOF SYSTEM AS LONG-TERM INSURANCE AGAINST LEAKAGE .

Note: Steeple Tip will be reduced by approx. 14" when Adding Optional Cross



INTERIOR SUPPORT DETAIL

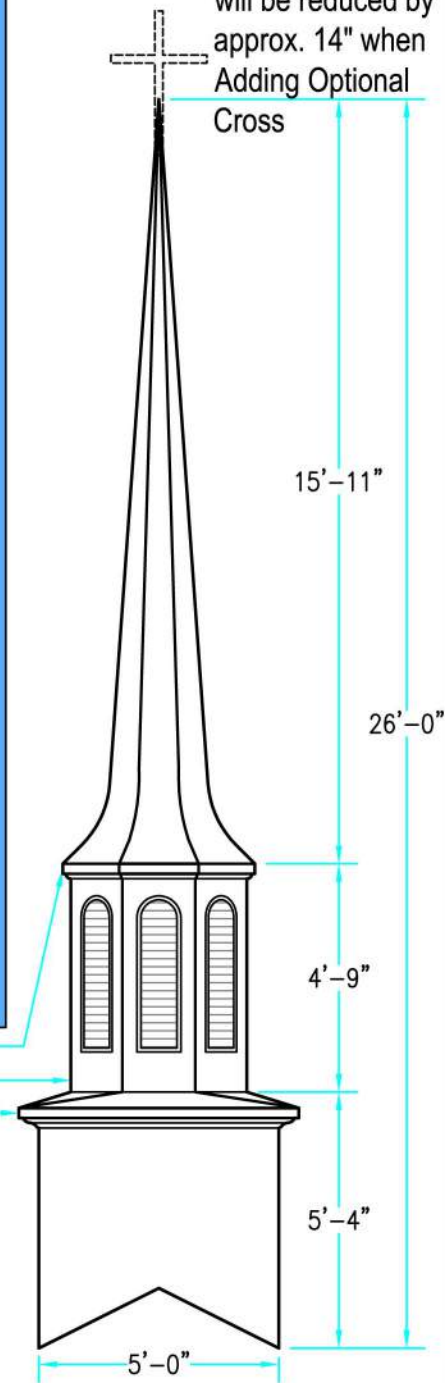
Scale: $\frac{1}{4}" = 1'-0"$

3-D VIEW

4'-0"

3'-8"

5'-10"



ELEVATION

Scale: $\frac{1}{4}" = 1'-0"$

Drawings are property of Fiberglass Unlimited, Inc.; Dimensions may change slightly to accommodate manufacturing.

STEEPLES
Model # 370

Superior Church Furnishings

1-478-275-0235