

Steeple Data

Base Width: 8'-0"
 Steeple Height: 48'-0"
 Weight: 2300 lb.
 Three-piece Steeple unit

Available Options:

- 3' or 4' Aluminum Cross
- Lightning Protection
- Krinklglas Windows
- Round venting louvers in base

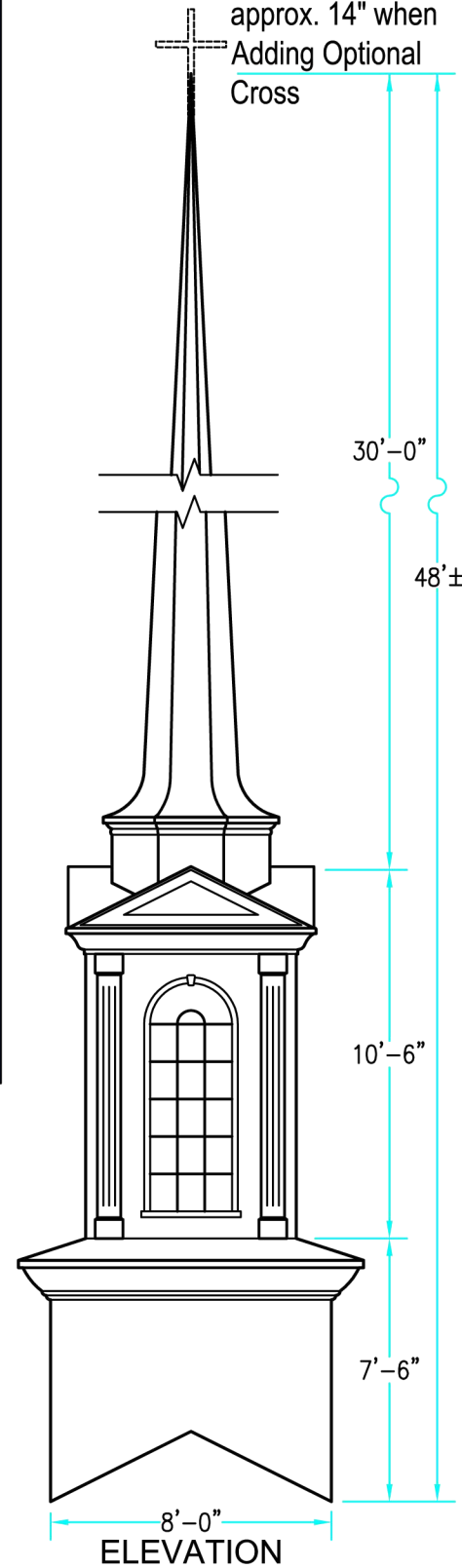
ALL STEEPLES MUST BE MOUNTED ON A COMPLETED WATERPROOF ROOF SYSTEM AS LONG-TERM INSURANCE AGAINST LEAKAGE .

Note: Steeple Tip will be reduced by approx. 14" when Adding Optional Cross



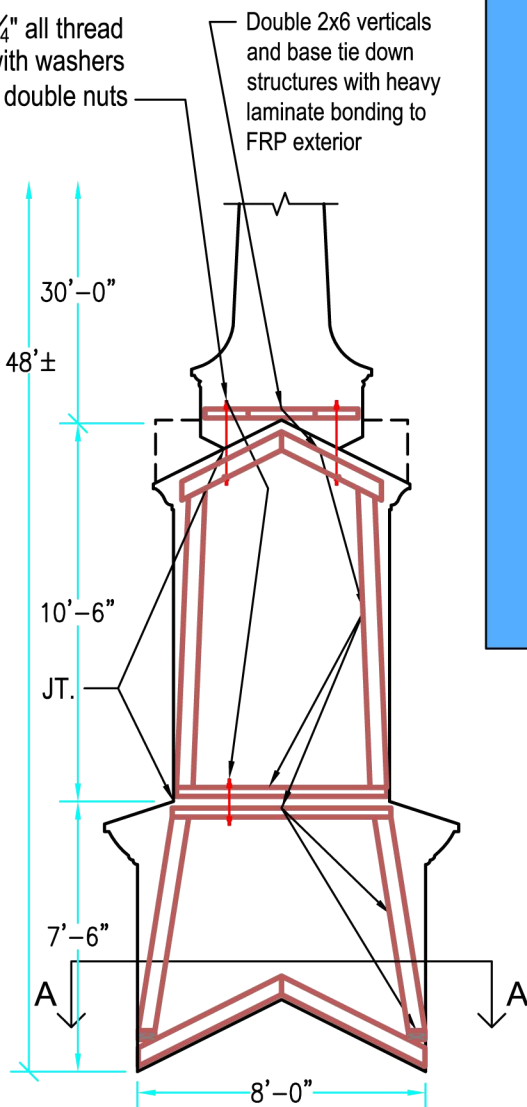
3-D VIEW

N.T.S.



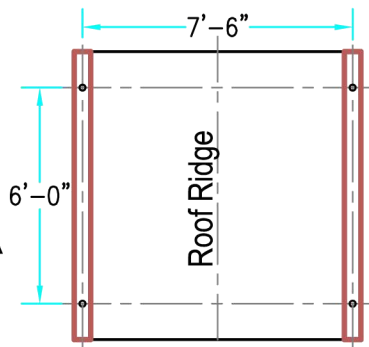
ELEVATION

Scale: $\frac{3}{16}'' = 1'-0''$



INTERIOR SUPPORT DETAIL

Scale: $\frac{3}{16}'' = 1'-0''$



PLAN VIEW A-A

Scale: $\frac{3}{16}'' = 1'-0''$

Drawings are property of Fiberglass Unlimited, Inc.; Dimensions may change slightly to accommodate manufacturing.

STEEPLES

Model # 615

Superior Church Furnishings

1-478-275-0235