

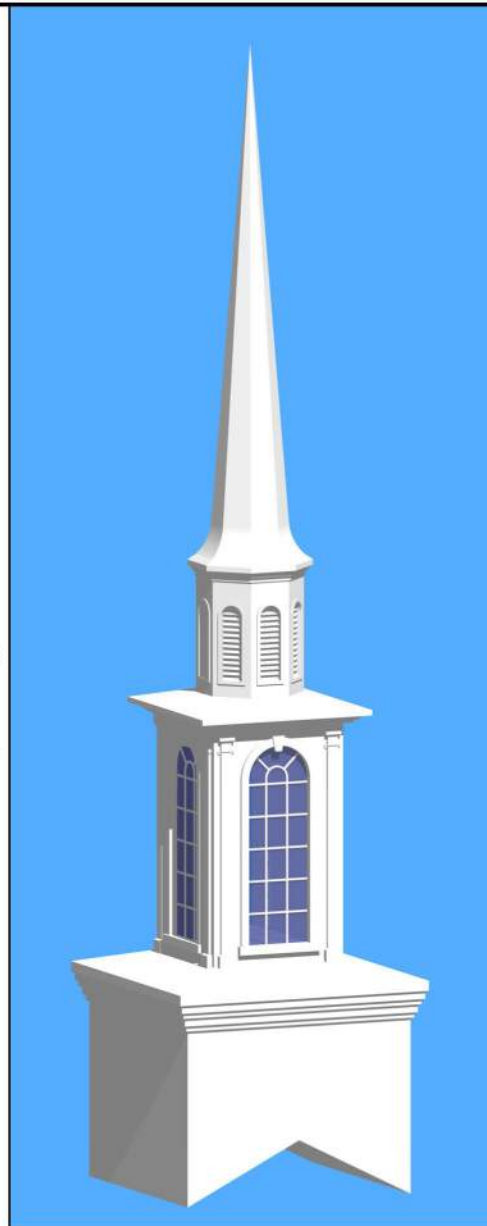
Steeple Data

Base Width: 88"
 Steeple Height: 34'-8"
 Weight: 1500 lb.
 Three-piece Steeple unit

Available Options:

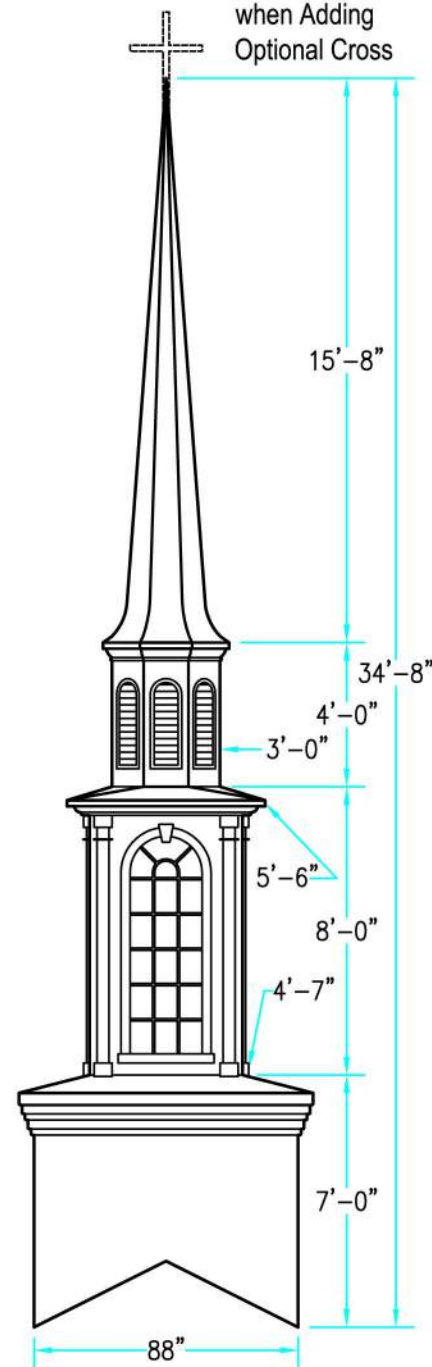
- 3' or 4' Aluminum Cross
- 8" Ball
- Lightning Protection
- Round Top Simulated Louvers
- Krinkleglass Windows
- Various accessories available for Spire and Base

ALL STEEPLES MUST BE MOUNTED ON A COMPLETED WATERPROOF ROOF SYSTEM AS LONG-TERM INSURANCE AGAINST LEAKAGE .



3-D VIEW

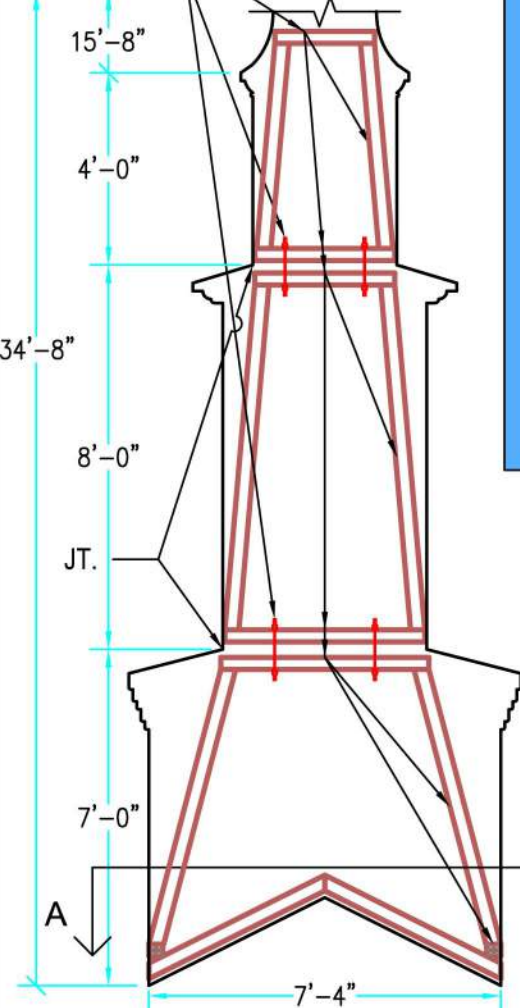
Note: Steeple Tip will be reduced by approx. 14" when Adding Optional Cross



ELEVATION

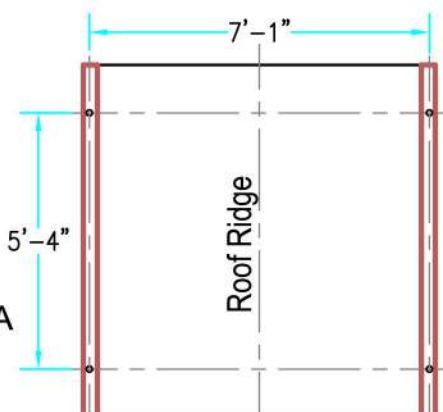
Scale: 1/16" = 1'-0"

3/4" all thread with washers & double nuts
 DOUBLE 2x4 INTERIOR STRUCTURE WITH HEAVY LAMINATE BONDING TO FRP EXT.



INTERIOR SUPPORT DETAIL

Scale: 1/4" = 1'-0"



PLAN VIEW A-A

Scale: 1/4" = 1'-0"

Drawings are property of Fiberglass Unlimited, Inc.; Dimensions may change slightly to accommodate manufacturing.

STEEPLES

Model # 500

Superior Church Furnishings

1-478-275-0235