

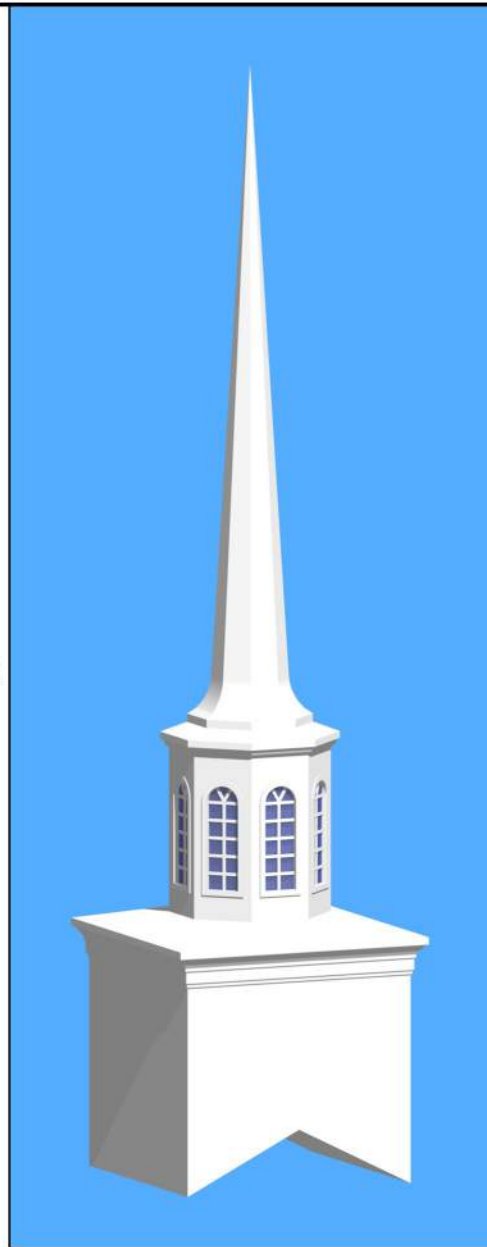
## Steeple Data

Base Width: 88"  
 Steeple Height: 34'-0"  
 Weight: 1375 lb.  
 Three-piece Steeple unit

### Available Options:

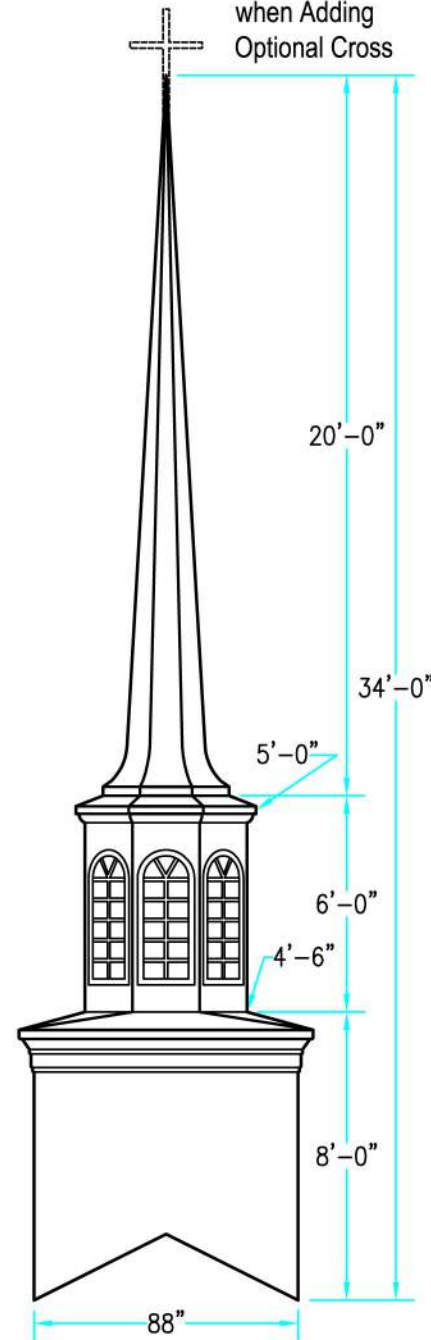
- 3' or 4' Aluminum Cross
- 8" Ball
- Lightning Protection
- Round Top Simulated Louvers
- Krinkleglass Windows
- Various accessories available for Base

ALL STEEPLES MUST BE MOUNTED ON A COMPLETED WATERPROOF ROOF SYSTEM AS LONG-TERM INSURANCE AGAINST LEAKAGE.



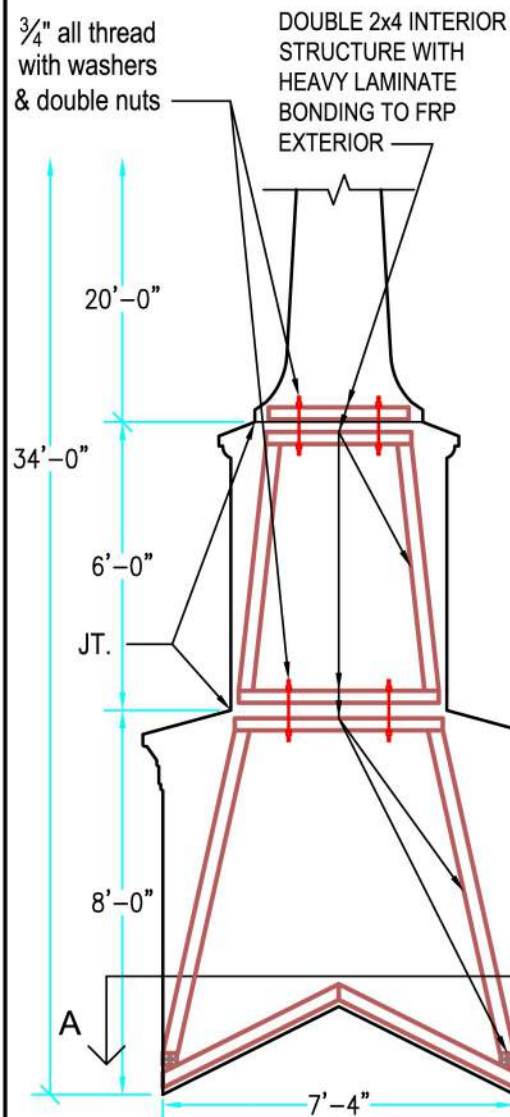
3-D VIEW

Note: Steeple Tip will be reduced by approx. 14" when Adding Optional Cross



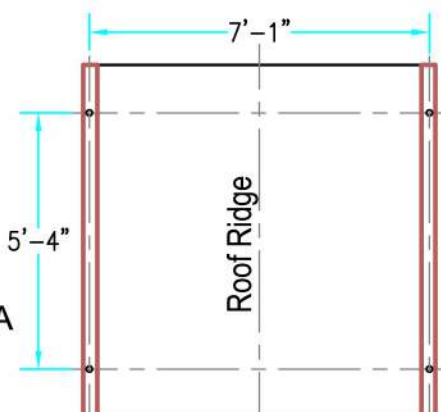
ELEVATION

Scale:  $\frac{1}{16}'' = 1'-0''$



INTERIOR SUPPORT DETAIL

Scale:  $\frac{1}{4}'' = 1'-0''$



PLAN VIEW A-A

Scale:  $\frac{1}{4}'' = 1'-0''$

Drawings are property of Fiberglass Unlimited, Inc.; Dimensions may change slightly to accommodate manufacturing.

**STEEPLES**

**Model # 478**

**Superior Church Furnishings**

1-478-275-0235