

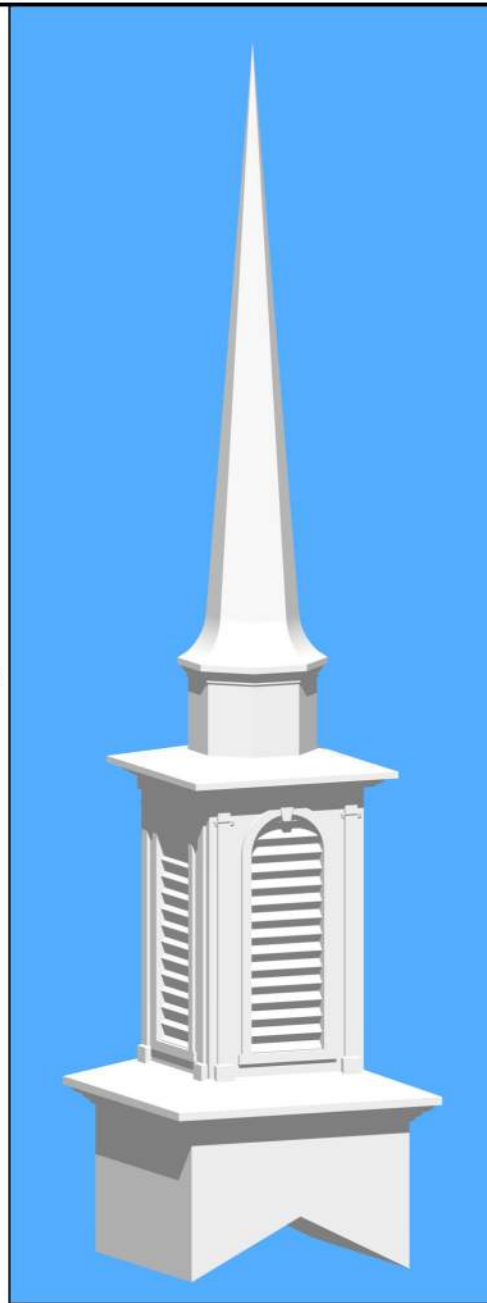
## Steeple Data

Base Width: 6'-0"  
 Steeple Height: 31'-0"  
 Weight: 1175 lb.  
 Three-piece Steeple unit

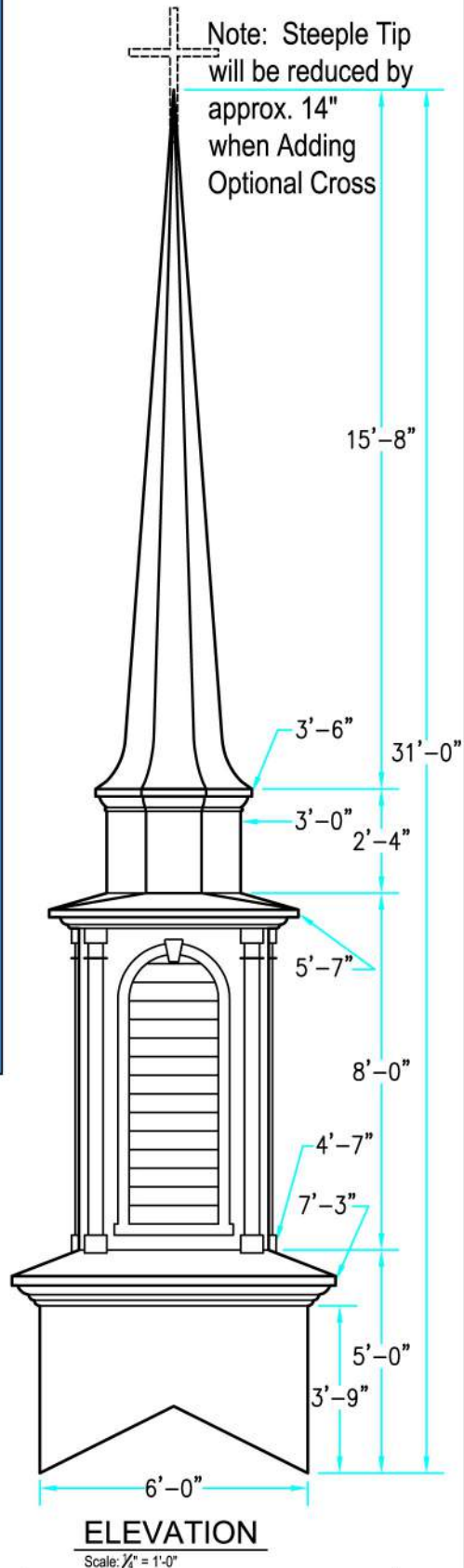
### Available Options:

- 3' or 4' Aluminum Cross
- 8" Ball
- Lightning Protection
- Round Top Simulated Louvers
- Krinkleglass Windows
- Various accessories available for Spire and Base

ALL STEEPLES MUST BE MOUNTED ON A COMPLETED WATERPROOF ROOF SYSTEM AS LONG-TERM INSURANCE AGAINST LEAKAGE.



3-D VIEW

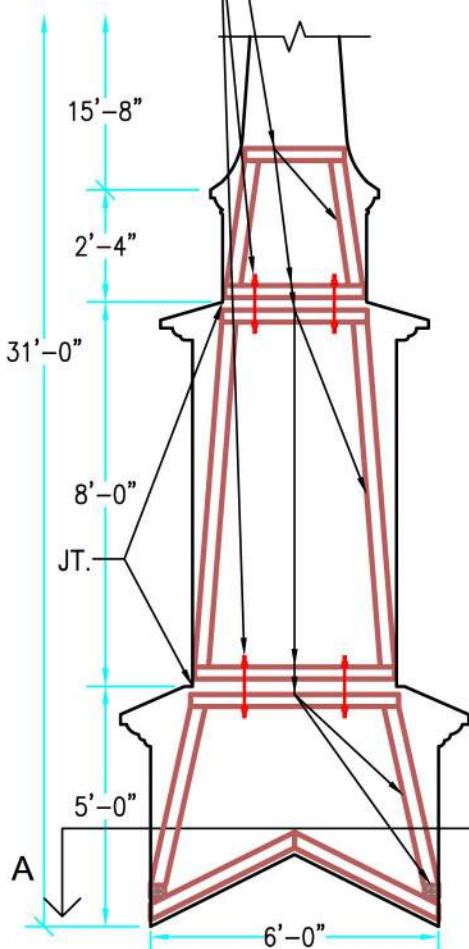


ELEVATION

Scale: 1/4" = 1'-0"

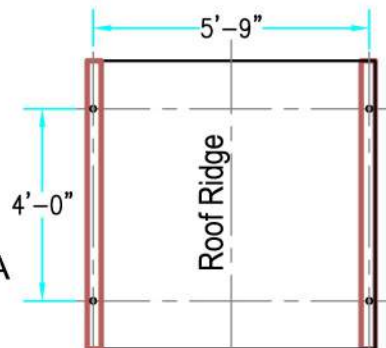
3/4" all thread with washers & double nuts

DOUBLE 2x4 INTERIOR STRUCTURE WITH HEAVY LAMINATE BONDING TO FRP EXTERIOR



INTERIOR SUPPORT DETAIL

Scale: 1/4" = 1'-0"



PLAN VIEW A-A

Scale: 1/4" = 1'-0"

Drawings are property of Fiberglass Unlimited, Inc.; Dimensions may change slightly to accommodate manufacturing.

STEEPLES

Model # 440

Superior Church Furnishings

1-478-275-0235