

Steeple Data

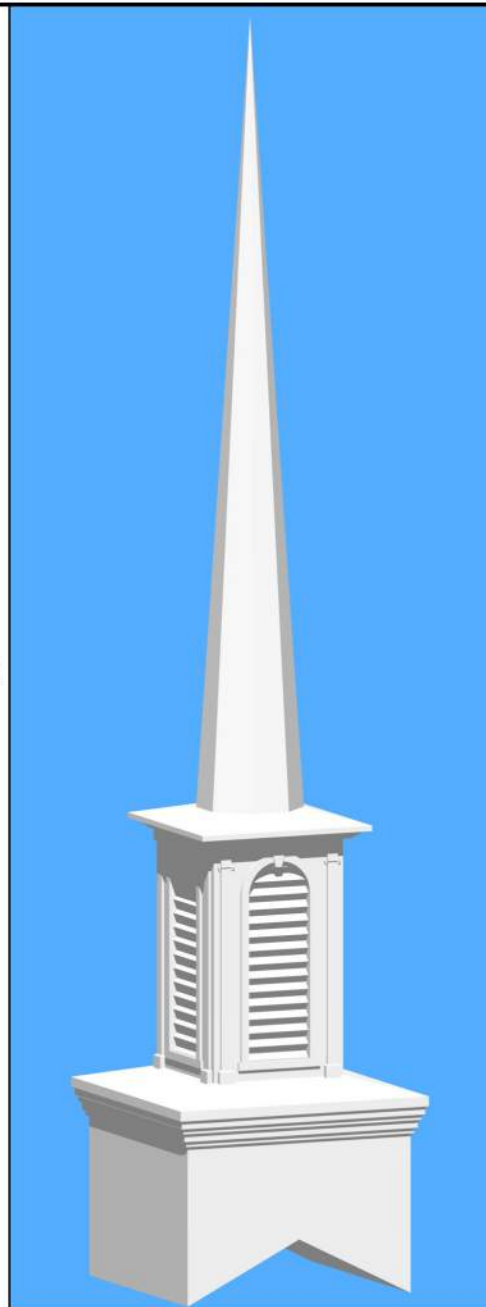
Base Width: 88"
 Steeple Height: 38'-6"
 Weight: 1500 lb.
 Three-piece Steeple unit

Available Options:

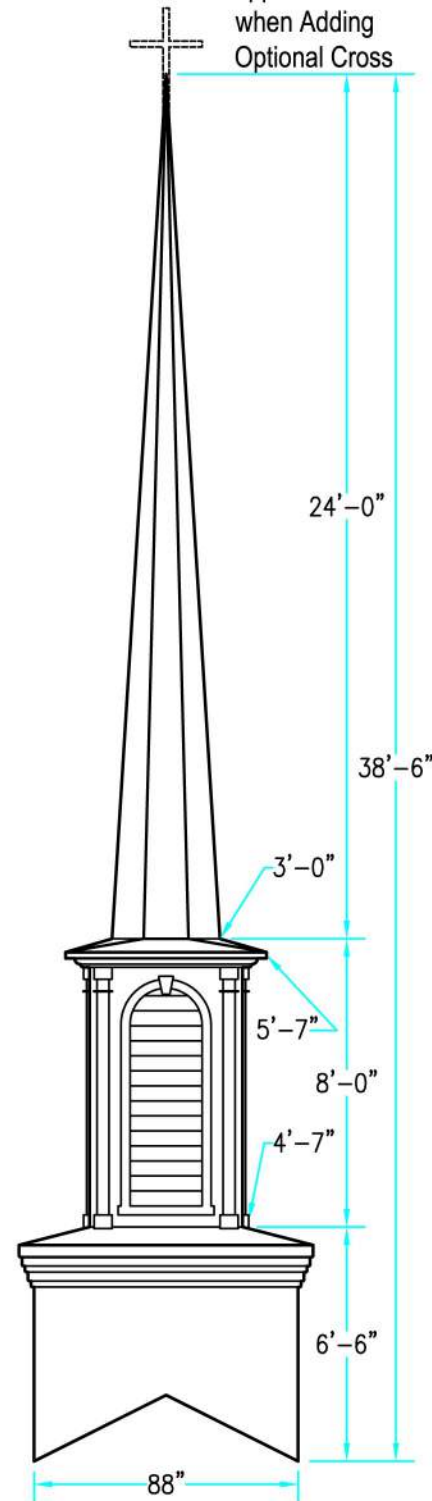
- 3' or 4' Aluminum Cross
- 8" Ball
- Lightning Protection
- Round Top Simulated Louvers
- Krinkleglass Windows
- Various accessories available for Spire and Base

ALL STEEPLES MUST BE MOUNTED ON A COMPLETED WATERPROOF ROOF SYSTEM AS LONG-TERM INSURANCE AGAINST LEAKAGE.

Note: Steeple Tip will be reduced by approx. 14" when Adding Optional Cross



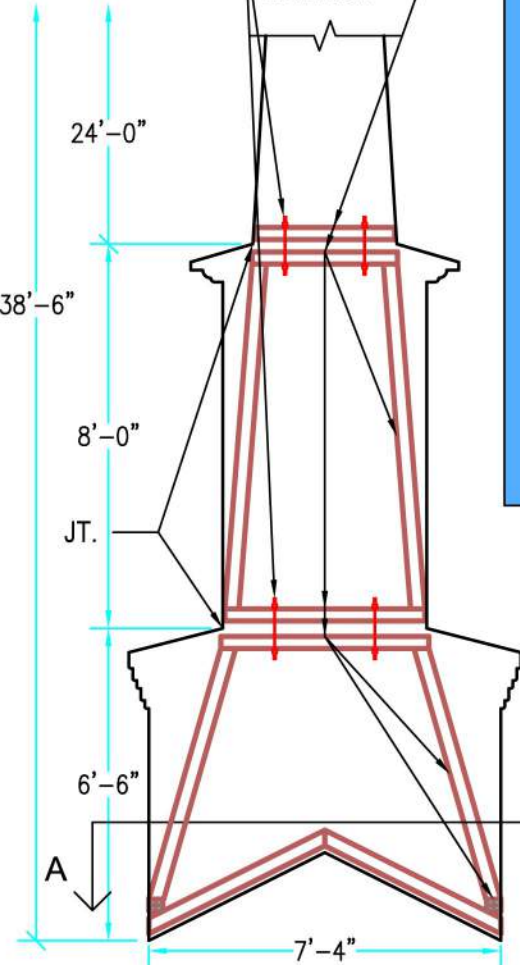
3-D VIEW



ELEVATION

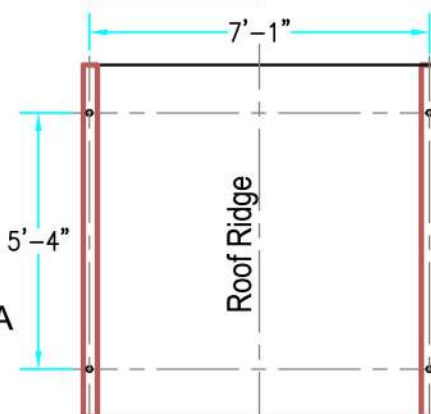
Scale: $\frac{1}{16}'' = 1'-0''$

$\frac{3}{4}''$ all thread with washers & double nuts
 DOUBLE 2x4 INTERIOR STRUCTURE WITH HEAVY LAMINATE BONDING TO FRP EXTERIOR



INTERIOR SUPPORT DETAIL

Scale: $\frac{1}{4}'' = 1'-0''$



PLAN VIEW A-A

Scale: $\frac{1}{4}'' = 1'-0''$

Drawings are property of Fiberglass Unlimited, Inc.; Dimensions may change slightly to accommodate manufacturing.

STEEPLES

Model # 540

Superior Church Furnishings

1-478-275-0235