

## Steeple Data

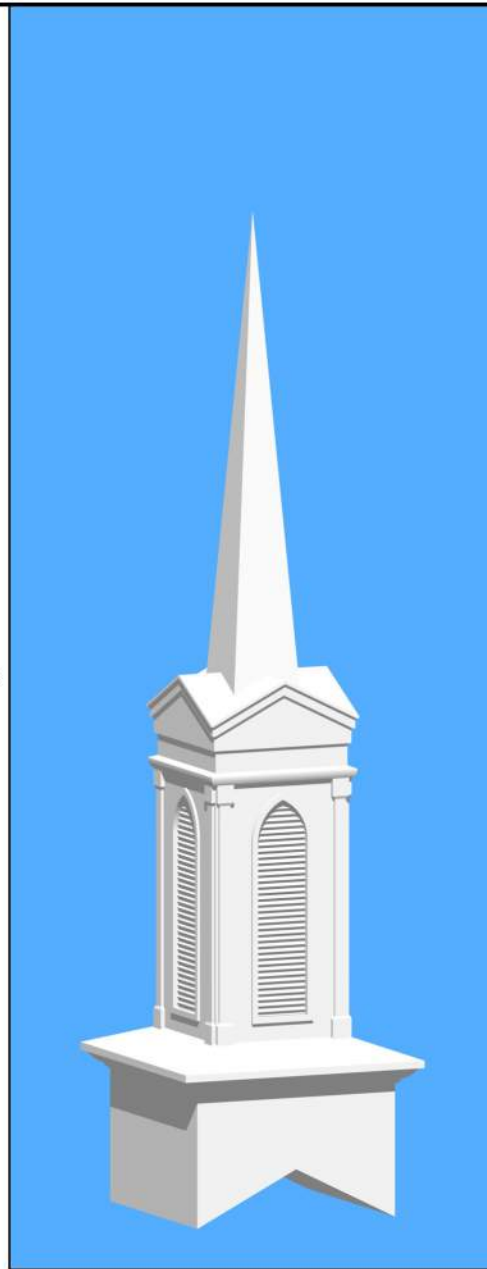
Base Width: 6'-0"  
 Steeple Height: 28'-0"  
 Weight: 1200 lb.  
 Three-piece Steeple unit

### Available Options:

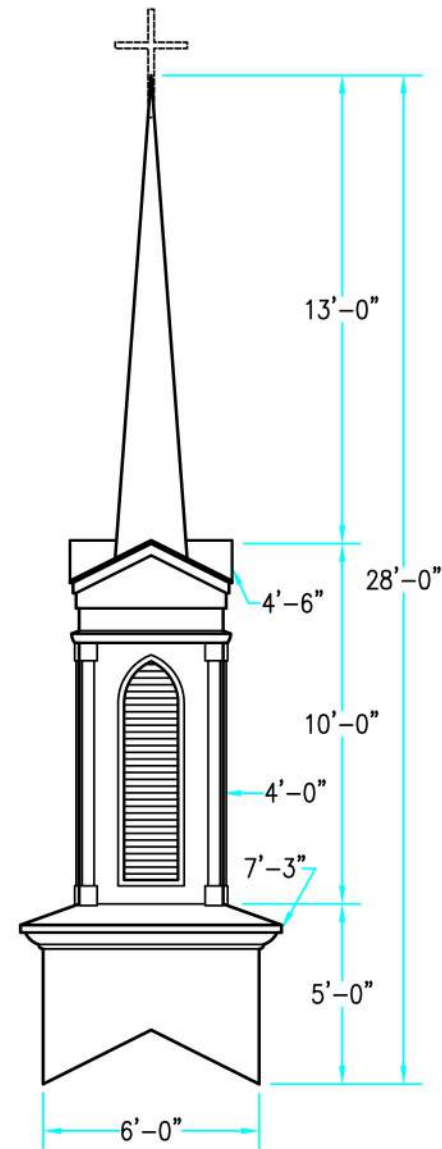
- 3' or 4' Aluminum Cross
- 8" Ball
- Gothic Simulated Louvers
- Gothic Krinklglas Windows
- Lightning Protection

ALL STEEPLES MUST BE MOUNTED ON A COMPLETED WATERPROOF ROOF SYSTEM AS LONG-TERM INSURANCE AGAINST LEAKAGE .

Note: Steeple Tip will be reduced by approx. 14" when Adding Optional Cross



3-D VIEW

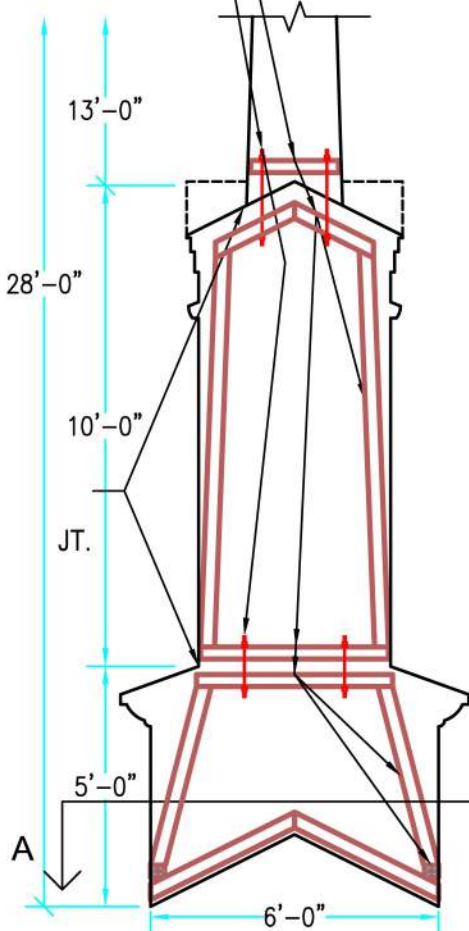


ELEVATION

Scale:  $\frac{3}{16}'' = 1'-0''$

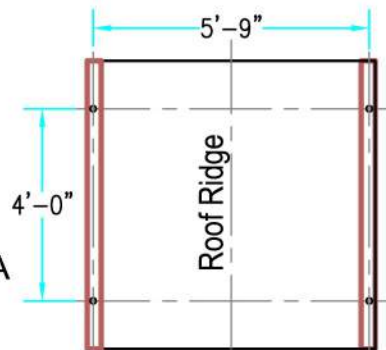
$\frac{3}{4}''$  all thread with washers & double nuts

DOUBLE 2x4 INTERIOR STRUCTURE WITH HEAVY LAMINATE BONDING TO FRP EXTERIOR



INTERIOR SUPPORT DETAIL

Scale:  $\frac{1}{4}'' = 1'-0''$



PLAN VIEW A-A

Scale:  $\frac{1}{4}'' = 1'-0''$

Drawings are property of Fiberglass Unlimited, Inc.; Dimensions may change slightly to accommodate manufacturing.

**STEEPLES**

**Model # 465-S**

**Superior Church Furnishings**

1-478-275-0235