

Steeple Data

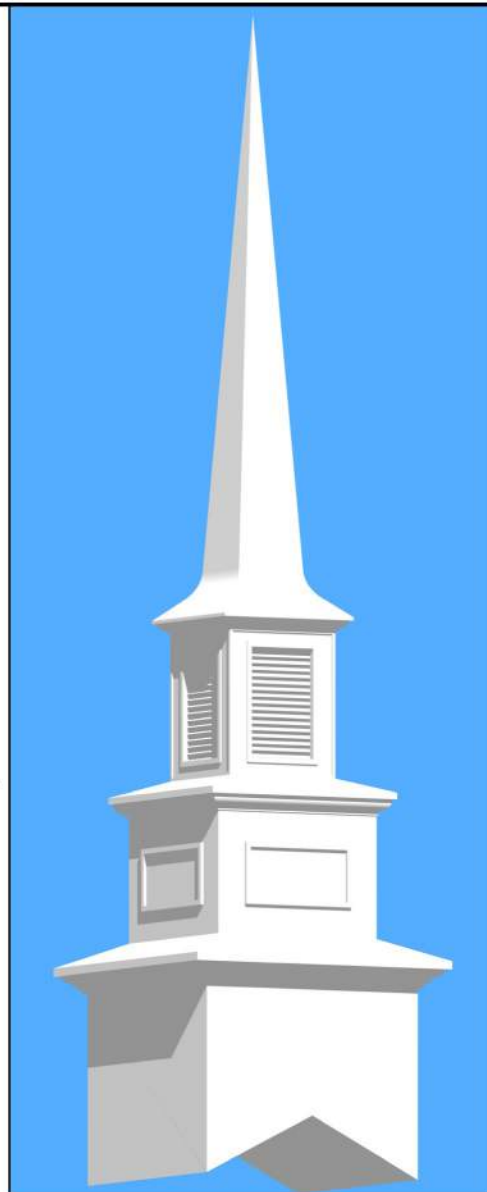
Base Width: 6'-0"
 Steeple Height: 29'-0"
 Weight: 1025 lb.
 Two-piece Steeple unit

Available Options:

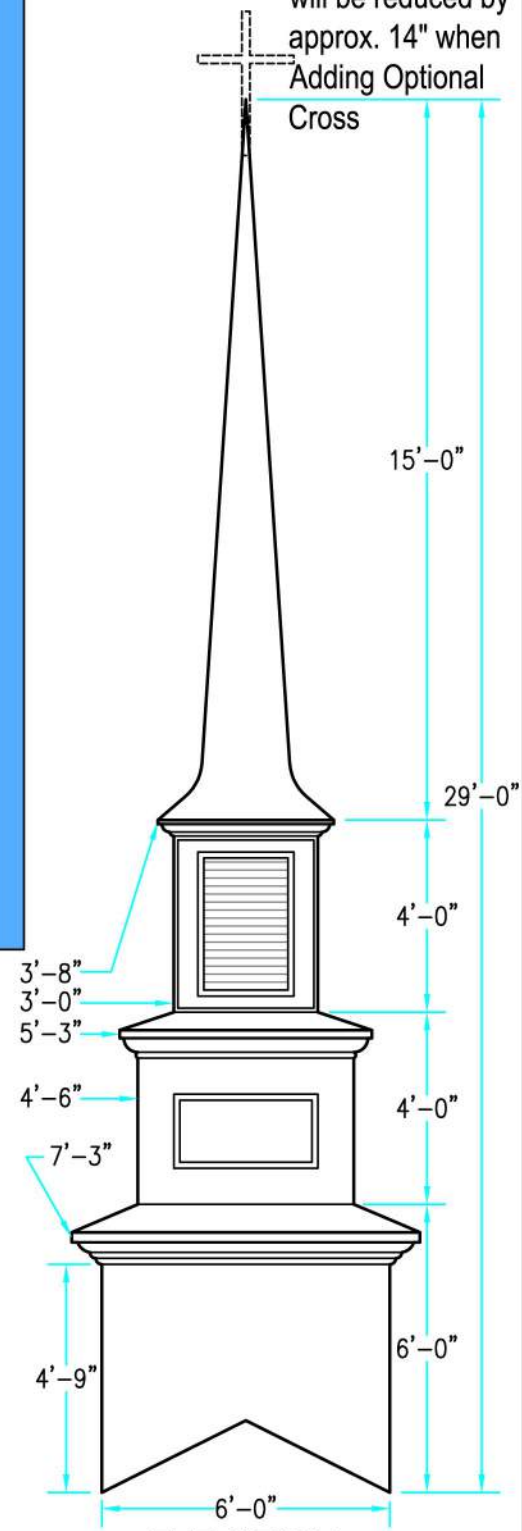
- 3' or 4' Aluminum Cross
- Lightning Protection
- Simulated Louvers
- Krinklglas Windows
- Round Venting Louvers In Base

ALL STEEPLES MUST BE MOUNTED ON A COMPLETED WATERPROOF ROOF SYSTEM AS LONG-TERM INSURANCE AGAINST LEAKAGE .

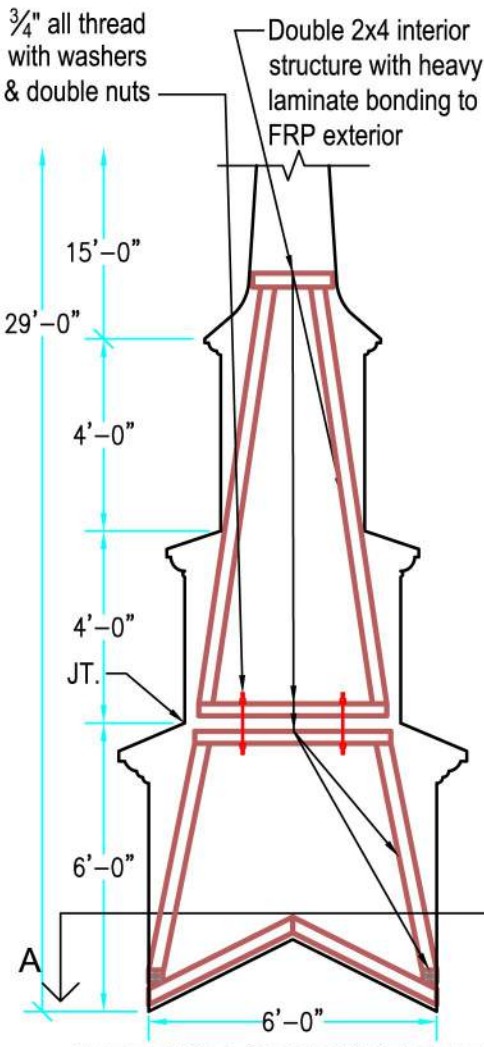
Note: Steeple Tip will be reduced by approx. 14" when Adding Optional Cross



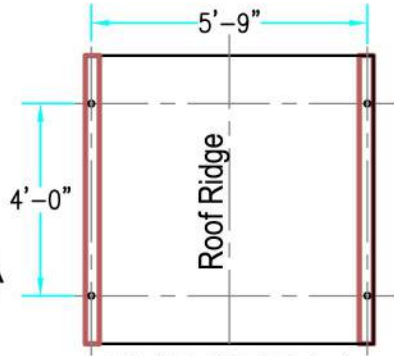
3-D VIEW



ELEVATION



INTERIOR SUPPORT DETAIL



PLAN VIEW A-A

Scale: 1/4" = 1'-0"

Scale: 1/4" = 1'-0"

Drawings are property of Fiberglass Unlimited, Inc.; Dimensions may change slightly to accommodate manufacturing.

STEEPLES
Model # 400

Superior Church Furnishings

1-478-275-0235