

## Steeple Data

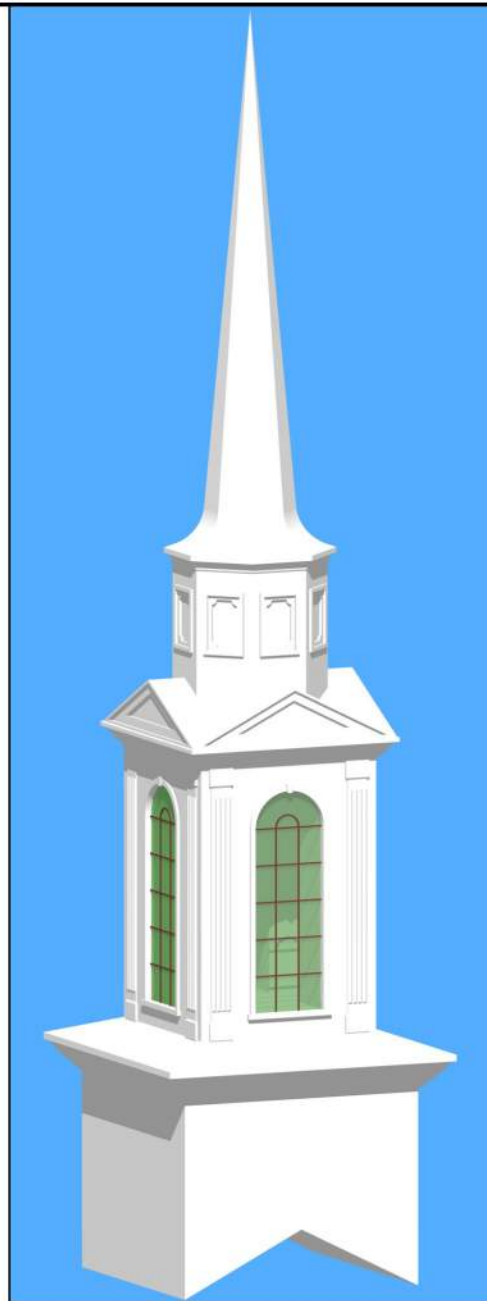
Base Width: 8'-0"  
 Steeple Height: 40'-0"  
 Weight: 2200 lb.  
 Three-piece Steeple unit

### Available Options:

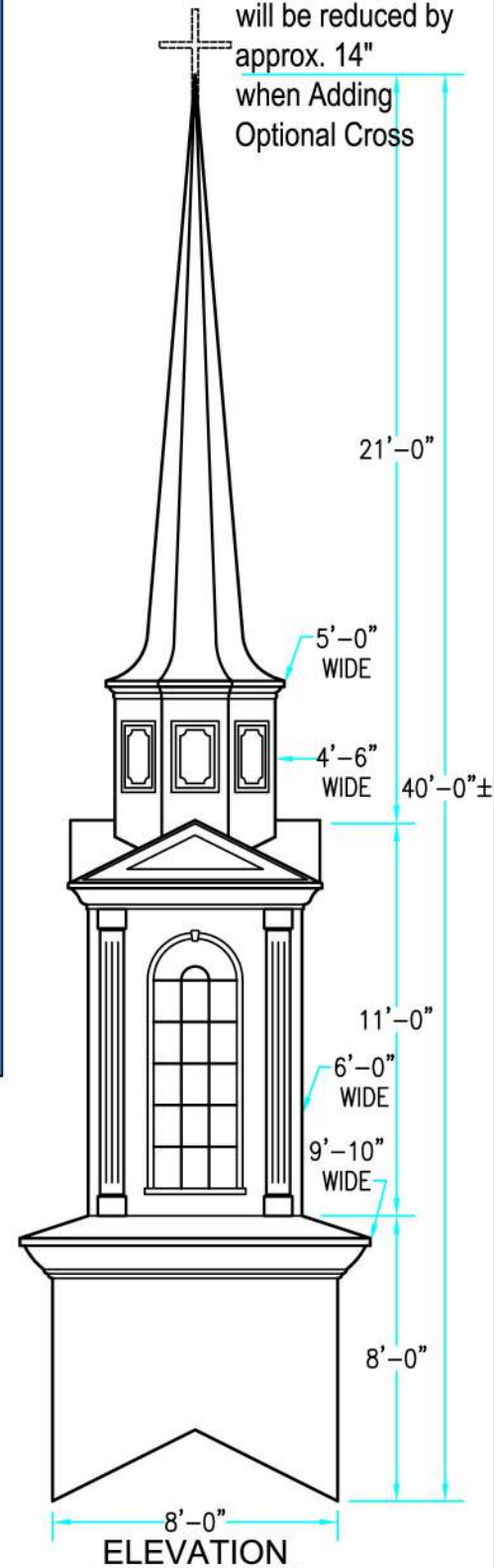
- 3' or 4' Aluminum Cross
- Lightning Protection
- Krinklglas Windows
- Round venting louvers in base

ALL STEEPLES MUST BE MOUNTED ON A COMPLETED WATERPROOF ROOF SYSTEM AS LONG-TERM INSURANCE AGAINST LEAKAGE.

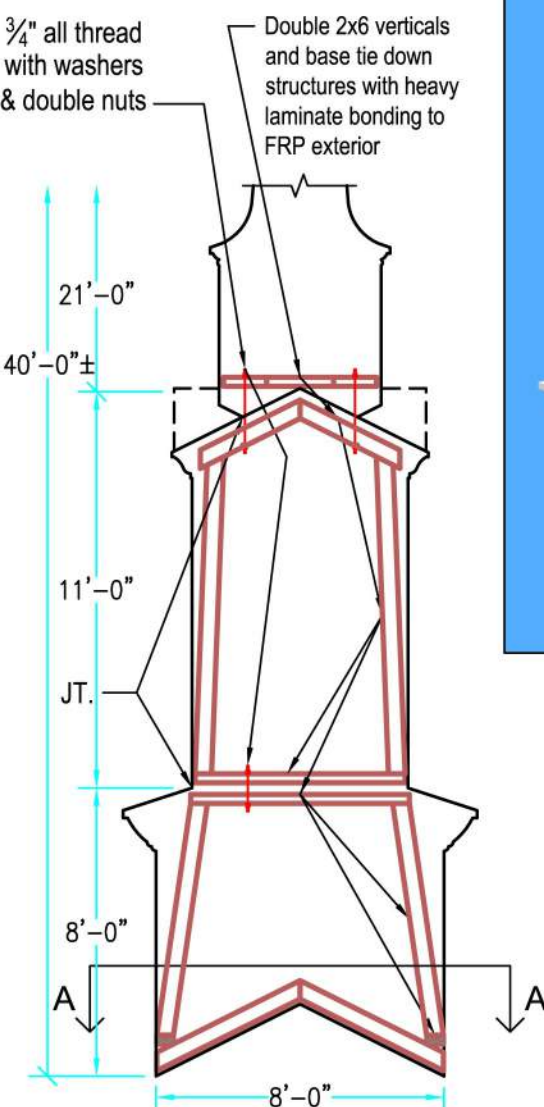
Note: Steeple Tip will be reduced by approx. 14" when Adding Optional Cross



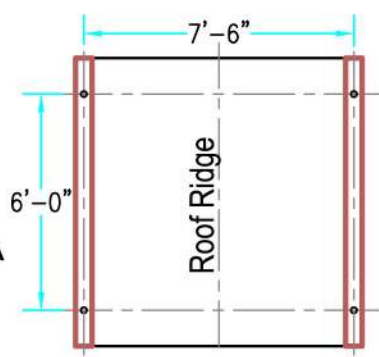
3-D VIEW



ELEVATION



INTERIOR SUPPORT DETAIL



PLAN VIEW A-A

Scale:  $\frac{3}{16}'' = 1'-0''$

Scale:  $\frac{3}{16}'' = 1'-0''$

Scale:  $\frac{3}{16}'' = 1'-0''$

Drawings are property of Fiberglass Unlimited, Inc.; Dimensions may change slightly to accommodate manufacturing.

**STEEPLES**  
**Model # 600**

Superior Church Furnishings

1-478-275-0235