

Steeple Data

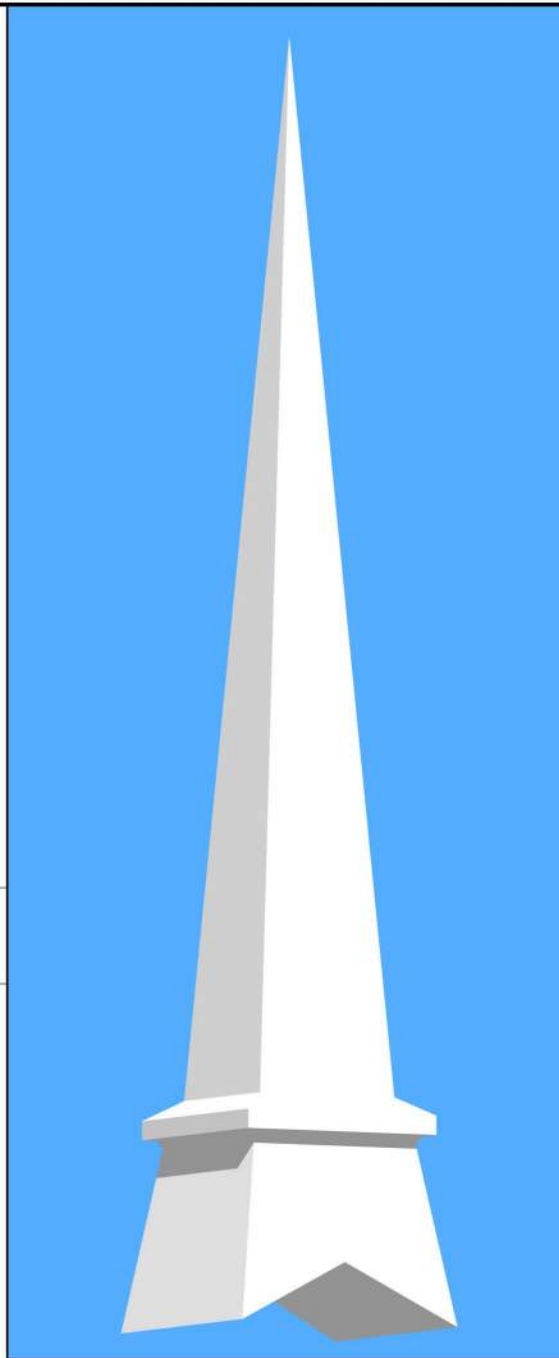
Base Width: 2'-8"
 Steeple Height: 14'-0"
 Weight: 150 lb.
 One Piece Steeple unit

Available Options:

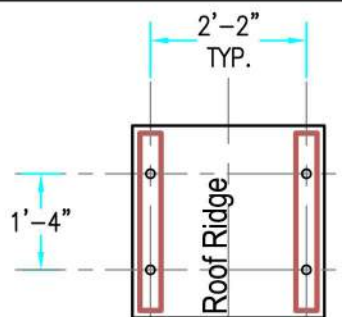
- 2' or 3' Aluminum Cross
- 8" Ball
- Lightning Protection

ALL STEEPLES MUST BE MOUNTED ON A COMPLETED WATERPROOF ROOF SYSTEM AS LONG-TERM INSURANCE AGAINST LEAKAGE .

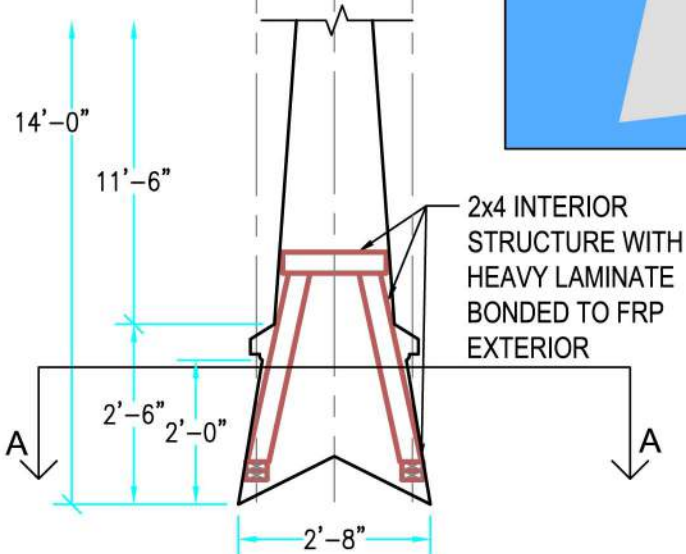
Note: Steeple Tip will be reduced by approx. 14" when Adding Optional Cross



3-D VIEW

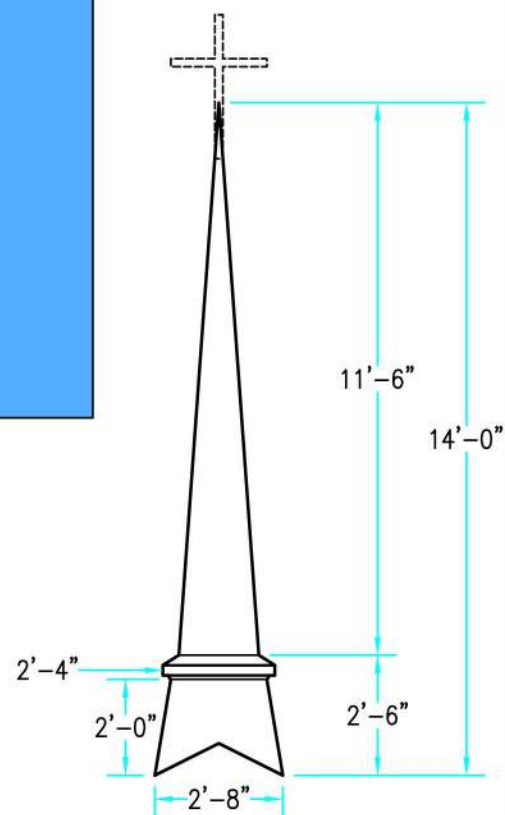


PLAN VIEW A-A



INTERIOR SUPPORT DETAIL

Scale: 3/8" = 1'-0"



ELEVATION

Scale: 1/4" = 1'-0"

Drawings are property of Fiberglass Unlimited, Inc.; Dimensions may change slightly to accommodate manufacturing.

STEEPLES
Model # 200

Superior Church Furnishings

1-800-975-2129